



**TRINITY GLASS**  
INTERNATIONAL

33615 1st Way S Federal Way, WA 98003

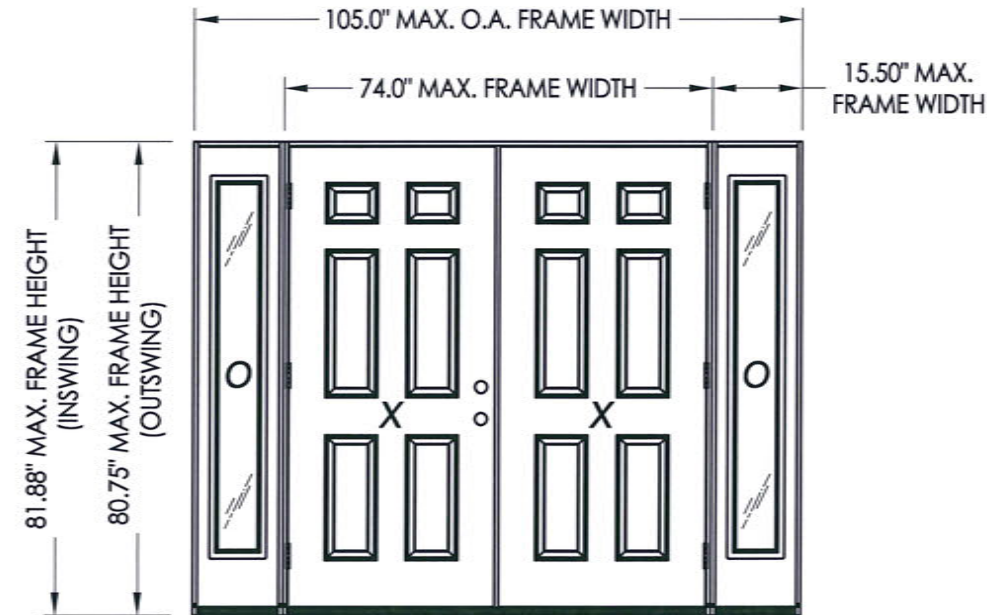
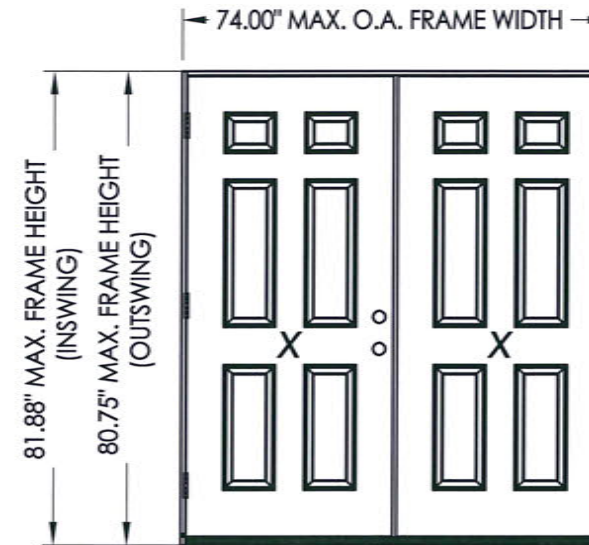
**OPAQUE FIBERGLASS  
"IMPACT" DOUBLE DOOR  
with or without  
"NON-IMPACT" SIDELITES  
IN SWING / OUT SWING**

GENERAL NOTES

1. This product has been evaluated and is in compliance with the 5th Edition (2014) Florida Building Code (FBC) structural requirements excluding the "High Velocity Hurricane Zone" (HVHZ).
2. Product anchors shall be as listed and spaced as shown on details. Anchor embedment to base material shall be beyond wall dressing or stucco.
3. When used in areas requiring wind borne debris protection, the opaque door complies with Section 1609.1.2 of the FBC and does not need to be protected with an impact resistant covering. The sidelite is req'd to be protected with an impact resistant covering that complies with Section 1609.1.2 of the FBC. The opaque door, when used with wood or fiberglass/composite jambs, meets missile level "D" and includes Wind Zone 4 as defined in ASTM E 1996 and Section 1609.1.2.2 of the FBC. The opaque door, when used with the PVC jambs, meets missile level "D" but excludes Wind Zone 4.
4. For 2x stud framing construction, anchoring of these units shall be the same as that shown for 2x buck masonry construction.
5. Site conditions that deviate from the details of this drawing require further engineering analysis by a licensed engineer or registered architect.

**TABLE OF CONTENTS**

SHEET#	DESCRIPTION
1	Typical elevations, design pressures & general notes
2	Door panel details
3	Sidelite panel details
4	Sidelite panel details
5	Elevations
6	Horizontal cross sections
7	Vertical cross sections
8	Vertical cross sections
9	Buck anchoring
10	Frame anchoring
11	Astragal details
12	Components
13	Bill of materials



CONFIGURATION	MAX. FRAME DIMENSION	DESIGN PRESSURE (PSF) ALUMINUM ASTRAGAL		DESIGN PRESSURE (PSF) PVC ASTRAGAL	
		POSITIVE	NEGATIVE	POSITIVE	NEGATIVE
XX	74.0" x 81.88"	+ 55.0	- 55.0	+ 47.0	- 47.0
OXXO	105.0" x 81.88"	+ 55.0	- 55.0	+ 47.0	- 47.0



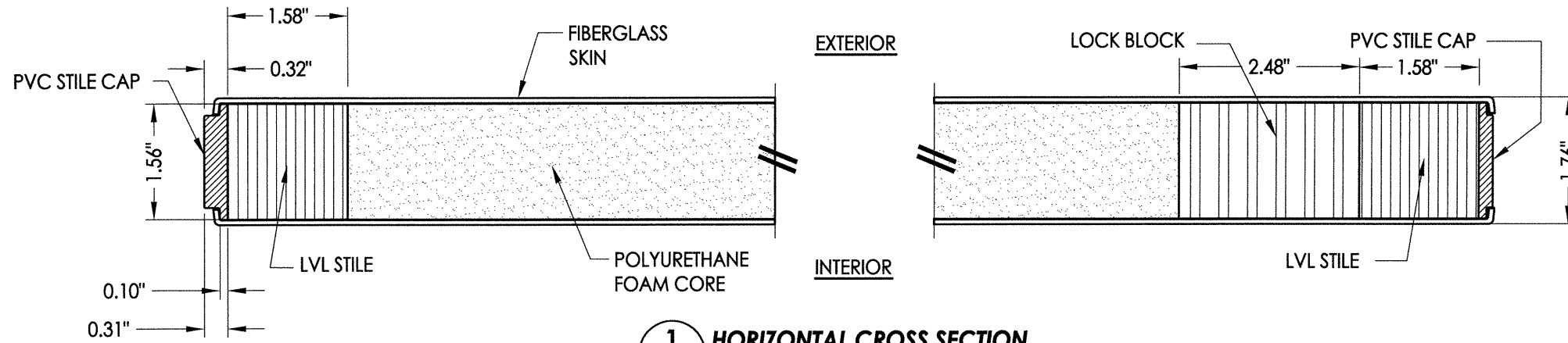
Documents Prepared By:  
Lyndon F. Schmidt  
P.E. No. 43409

**R.W.** BUILDING CONSULTANTS, INC.  
P.O. Box 230, Valrico, FL 33595  
Phone No.: 813.659.9197  
FBPE C.A. No. 9813

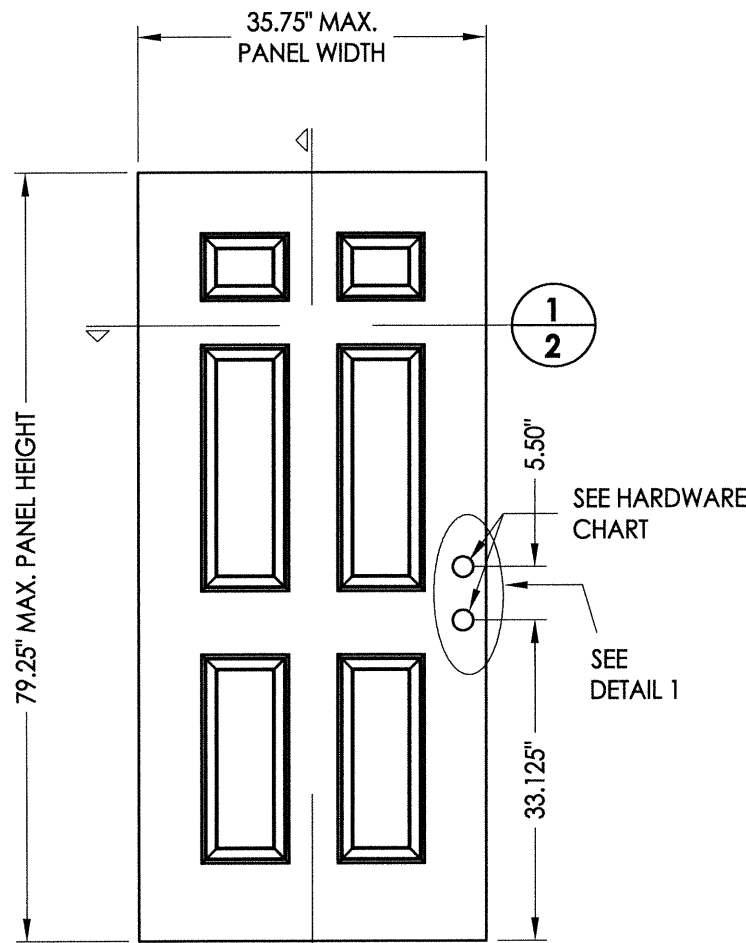
PRODUCT: TRINITY GLASS INT'L  
PART OR ASSEMBLY: TYPICAL ELEVATION, DESIGN PRESSURES & GENERAL NOTES

NO.	DATE	REVISIONS
2	03/02/15	UPDATE TO 5TH ED. (2014) FBC
1	12/16/14	REVISED LOCK HARDWARE

DATE: 1/18/12  
SCALE: N.T.S.  
DWG. BY: JK  
CHK. BY: LFS  
DRAWING NO.: FL-15129.4  
SHEET 1 OF 13

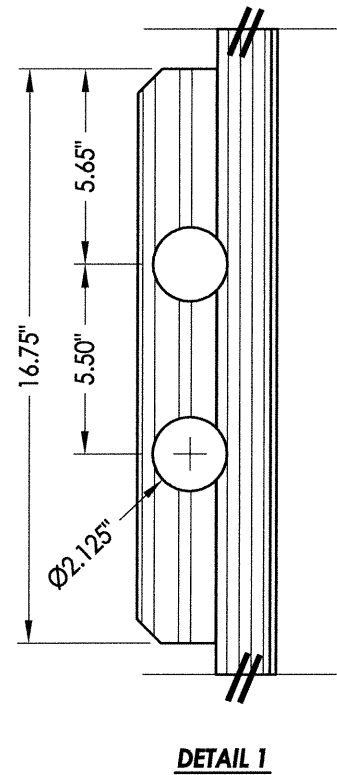


**1**  
**2** HORIZONTAL CROSS SECTION

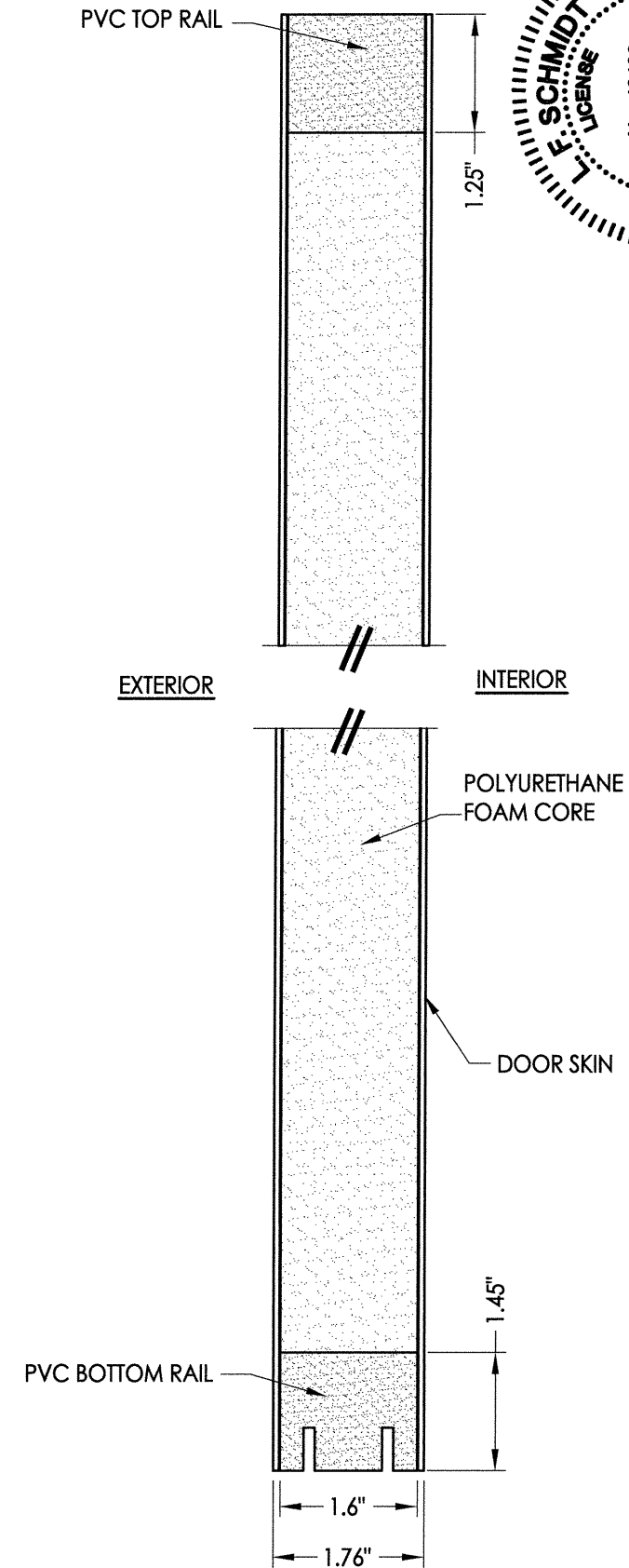


**40** OPAQUE DOOR

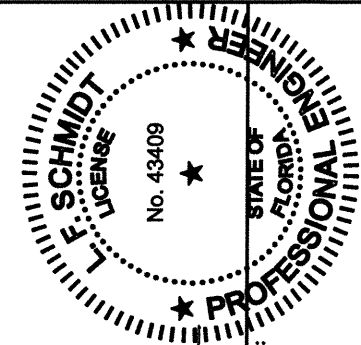
DOOR SKIN: 0.070" MIN. THK. FIBERGLASS  
CORE MATERIAL: POLYURETHANE FOAM



HARDWARE CHART	
MANUFACTURER	MODEL
KWIKSET	KNOB: SIGNATURE SERIES DEADBOLT: SIGNATURE SERIES (980)
KWIKSET	KNOB & DEADBOLT: SIGNATURE SERIES COMBO PACK (991)
SCHLAGE	KNOB: F SERIES DEADBOLT: B60 SERIES



**2**  
**2** VERTICAL CROSS SECTION

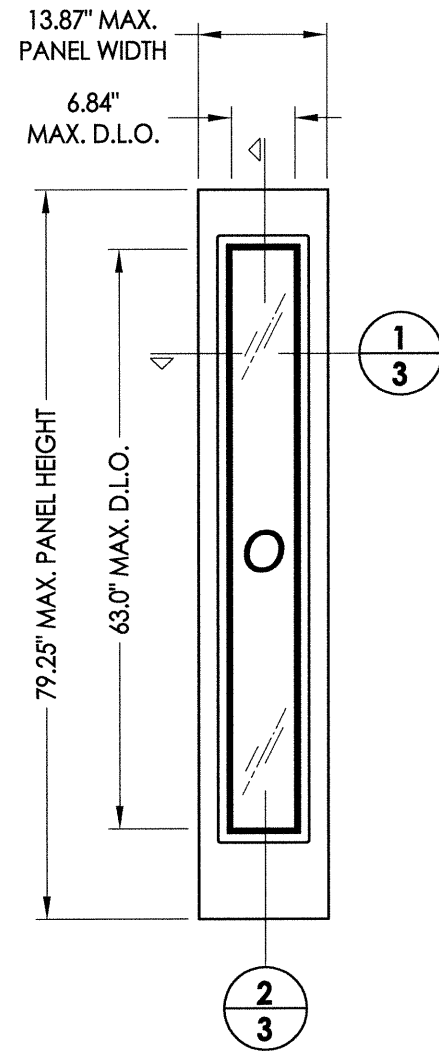


Documents Prepared By:  
Lyndon F. Schmidt  
P.E. No. 43409  
*RW* BUILDING CONSULTANTS, INC.  
P.O. Box 230, Vairico, FL 33595  
Phone No.: 813.659.9197  
FBPE C.A. No. 9813

PRODUCT: TRINITY GLASS INT'L  
PART OR ASSEMBLY: DOOR PANEL DETAILS

NO.	DATE	BY	REVISIONS
2	03/02/15	JK	UPDATE TO 5TH ED. (2014) FBC
1	12/16/14	LFS	REVISED LOCK HARDWARE

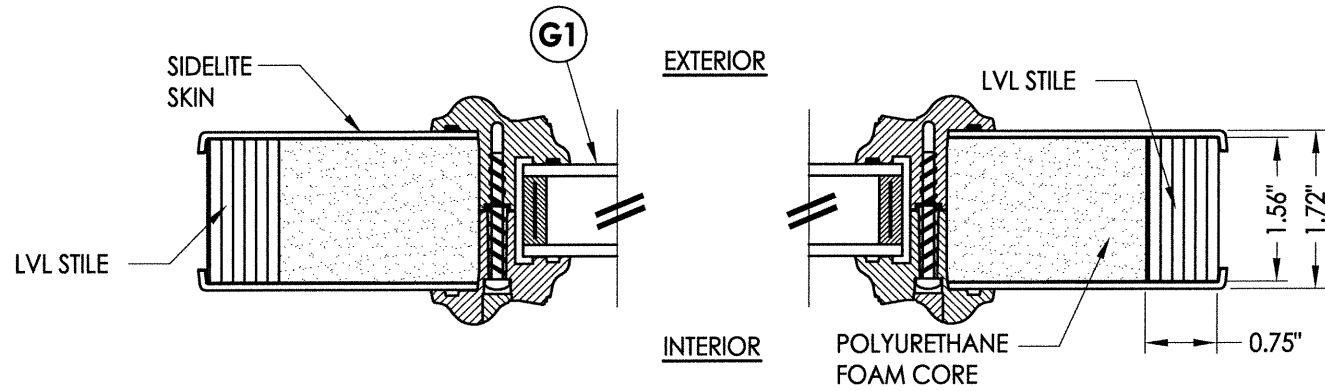
DATE: 1/18/12  
SCALE: N.T.S.  
DWG. BY: JK  
CHK. BY: LFS  
DRAWING NO.: FL-15129.4  
SHEET 2 OF 13



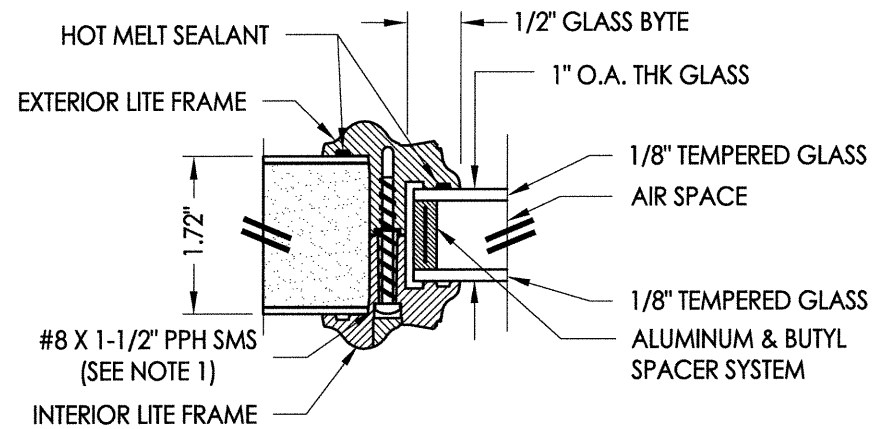
**41 FIBERGLASS SIDELITE**  
"Non-Impact" Lite Frame

DOOR SKIN: 0.070" MIN. THK. FIBERGLASS  
CORE MATERIAL: POLYURETHANE FOAM

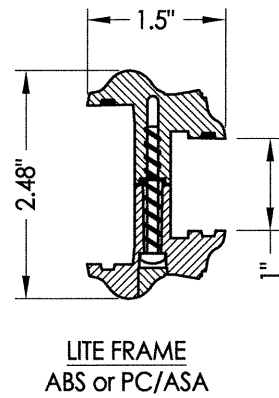
NOTE:  
1. Spacing for lite frame screw is as follows:  
Top and Bottom: 2" from each corner (2 total)  
Sides: 2" from each corner and equally spaced thereafter (8 total)



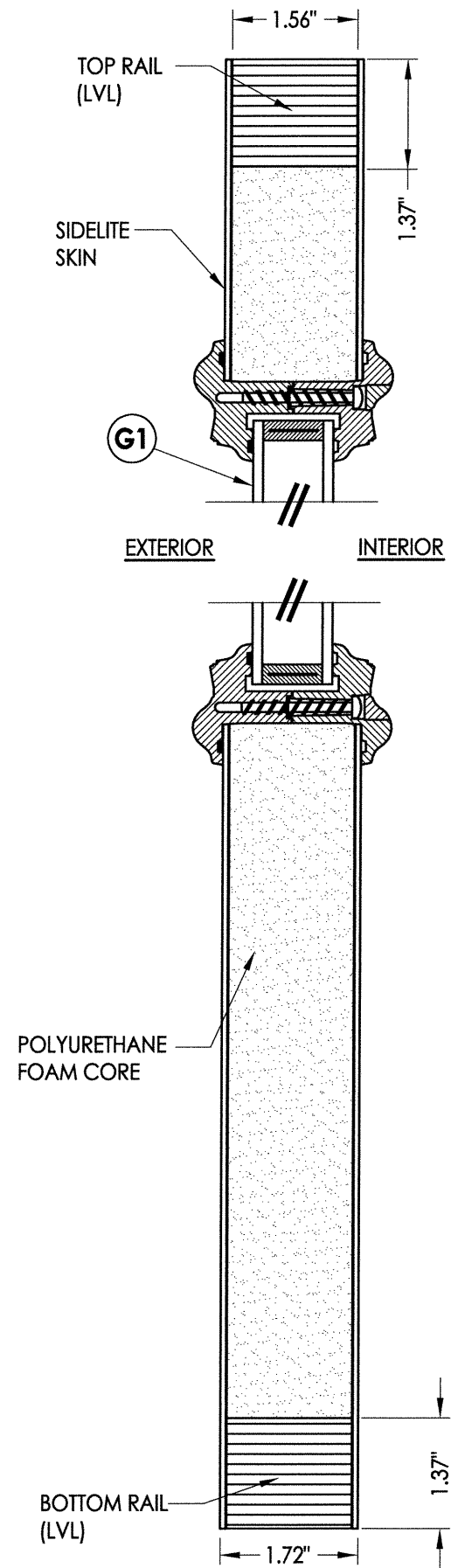
**1/3 HORIZONTAL CROSS SECTION**



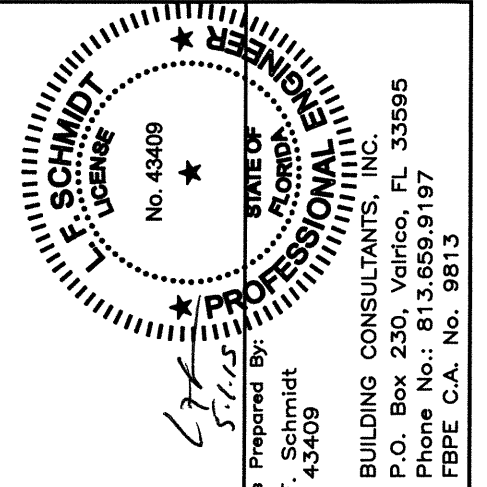
**G1 GLAZING DETAIL**



LITE FRAME  
ABS or PC/ASA



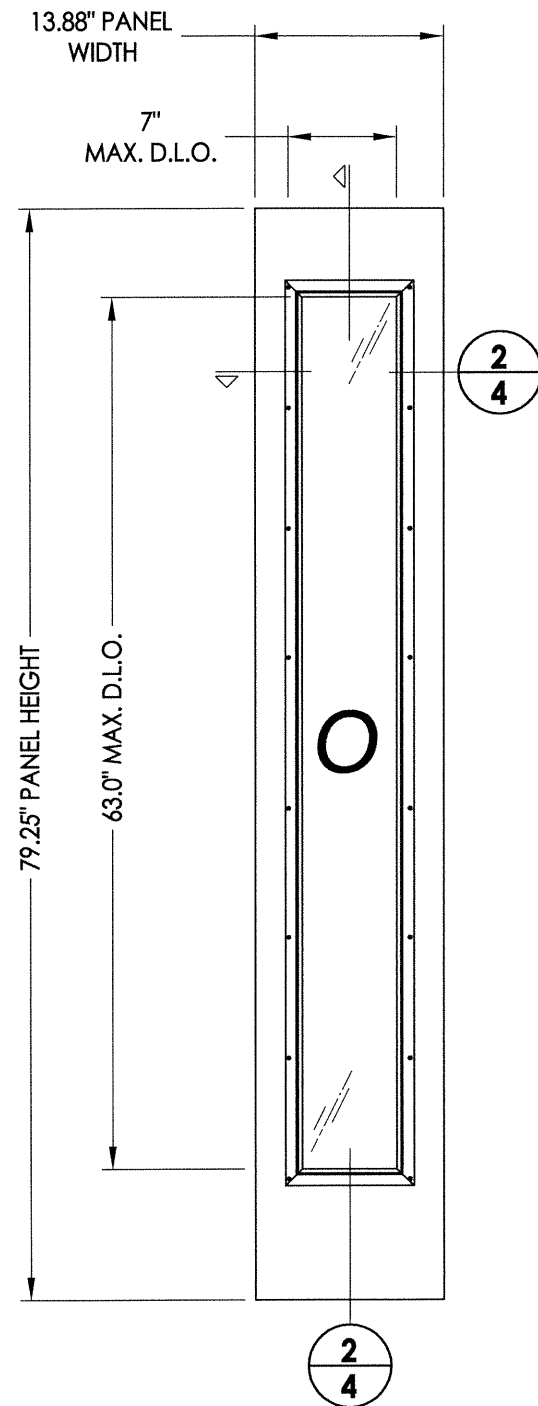
**2/3 VERTICAL CROSS SECTION**



Documents Prepared By:  
Lyndon F. Schmidt  
P.E. No. 43409

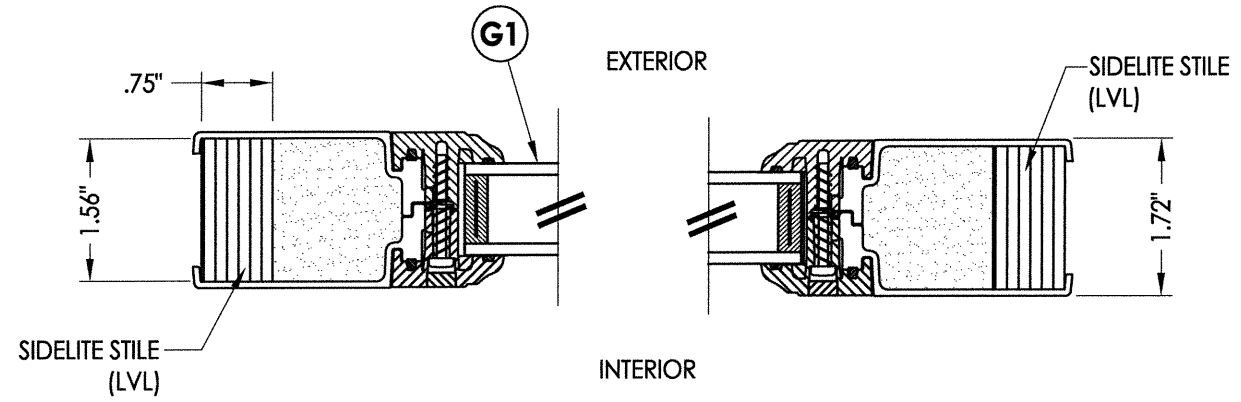
**RW** BUILDING CONSULTANTS, INC.  
P.O. Box 230, Valrico, FL 33595  
Phone No.: 813.659.9197  
FBPE C.A. No. 9813

PRODUCT:	TRINITY GLASS INT'L	
PART OR ASSEMBLY:	SIDELITE PANEL DETAILS	
NO.	DATE	BY
2	03/02/15	JK
1	12/16/14	LFS
REVISIONS		
DATE:	1/18/12	
SCALE:	N.T.S.	
DWG. BY:	JK	
CHK. BY:	LFS	
DRAWING NO.:	FL-15129.4	
SHEET	3 OF 13	

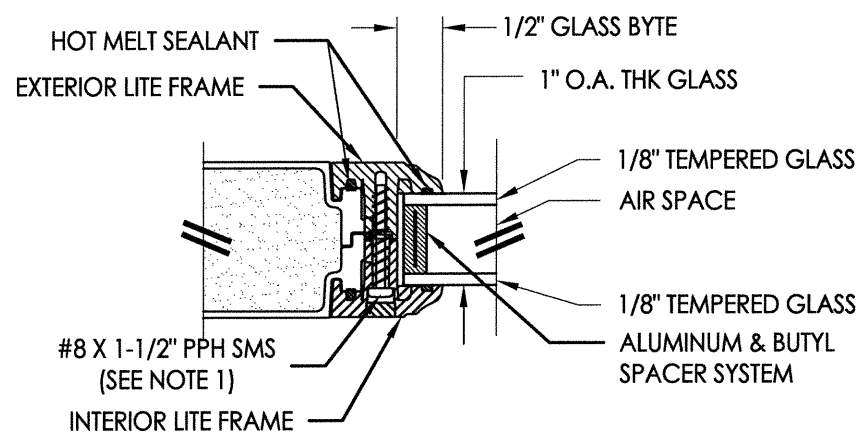


**42 FIBERGLASS SIDELITE**  
"Non-Impact" Flush Lite Frame

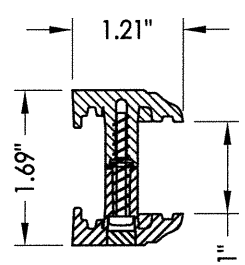
DOOR SKIN: 0.070" MIN. THK. FIBERGLASS  
CORE MATERIAL: POLYURETHANE FOAM



**1 HORIZONTAL CROSS SECTION**

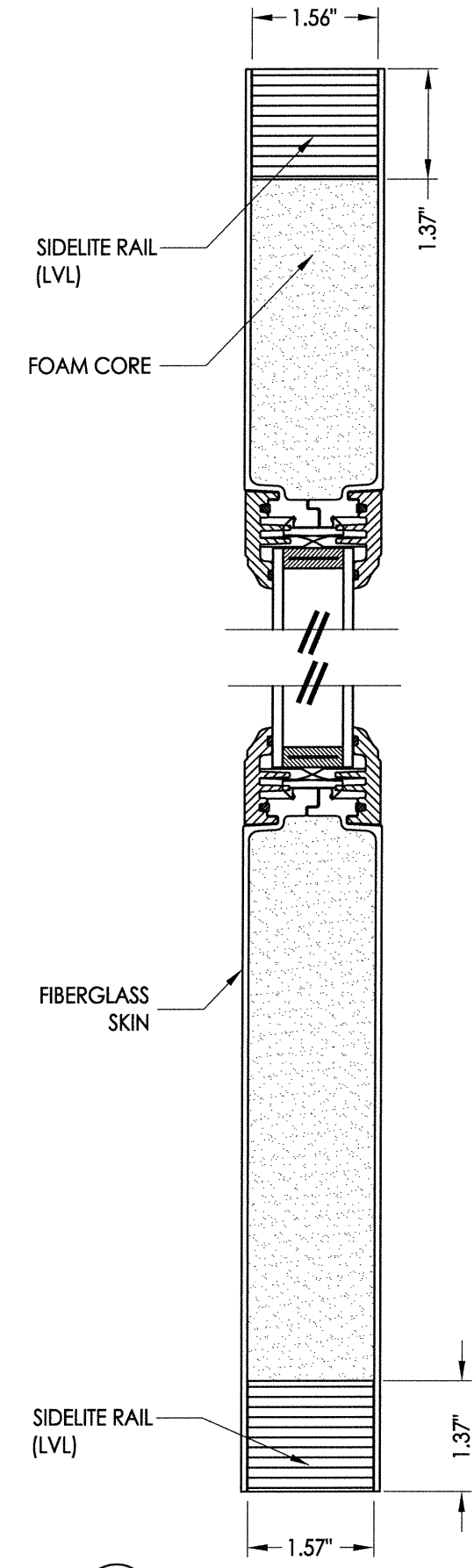


**G2 GLAZING DETAIL**

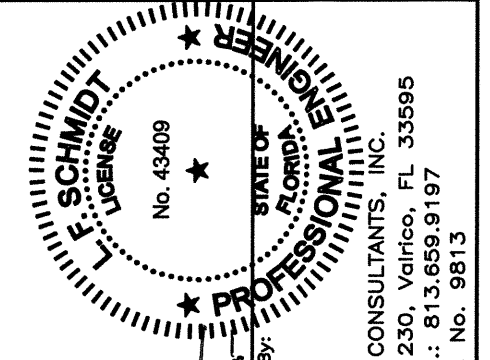


**FLUSH LITE FRAME**  
ABS or PC/ASA

NOTE:  
1. Spacing for lite frame screw is as follows:  
Sides: 0.5" from each corner and 9.5" max. spacing thereafter (8 total)



**2 VERTICAL CROSS SECTION**

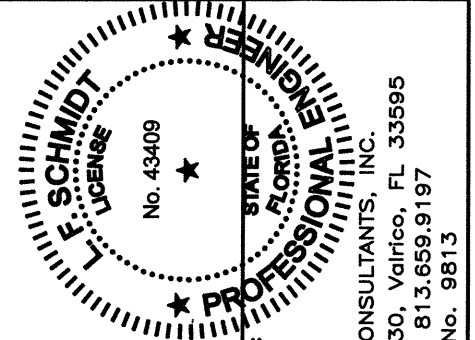
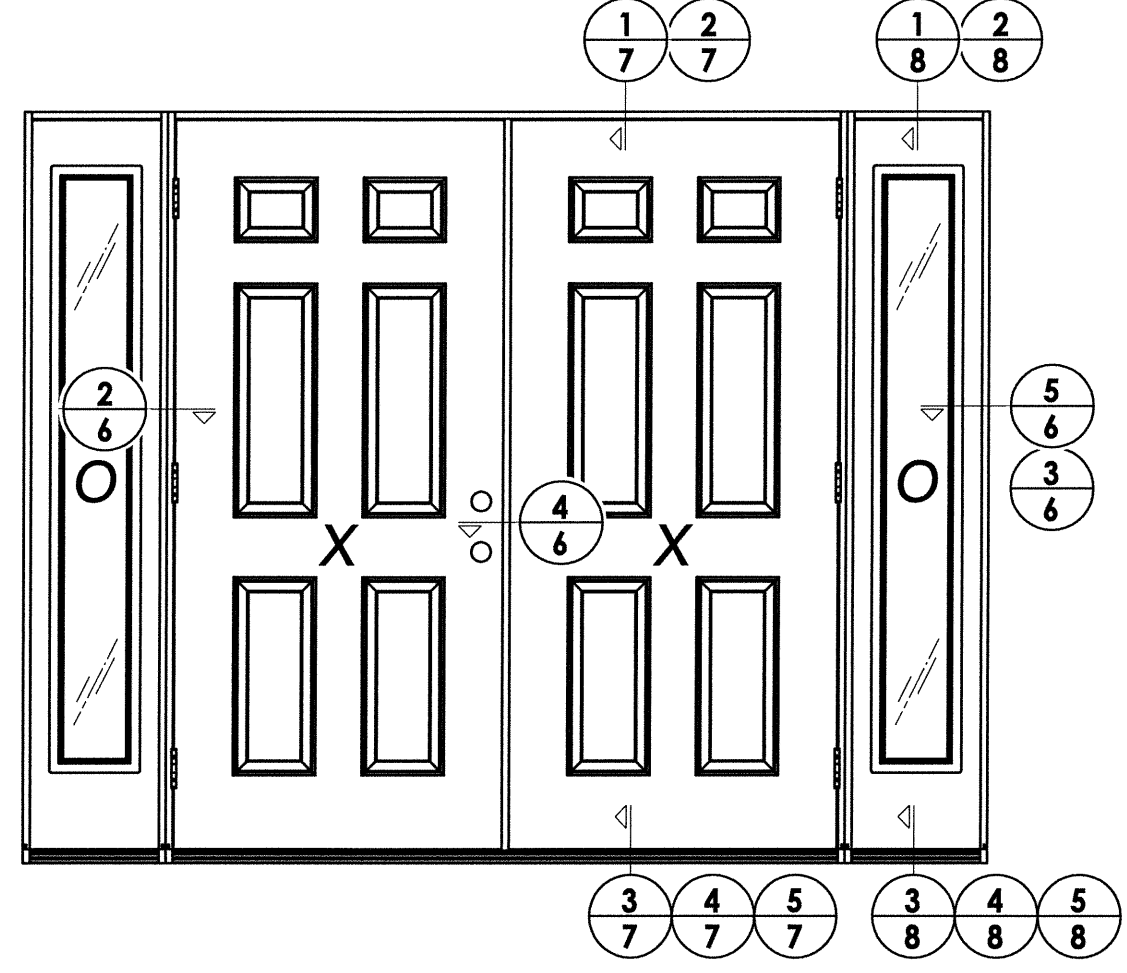
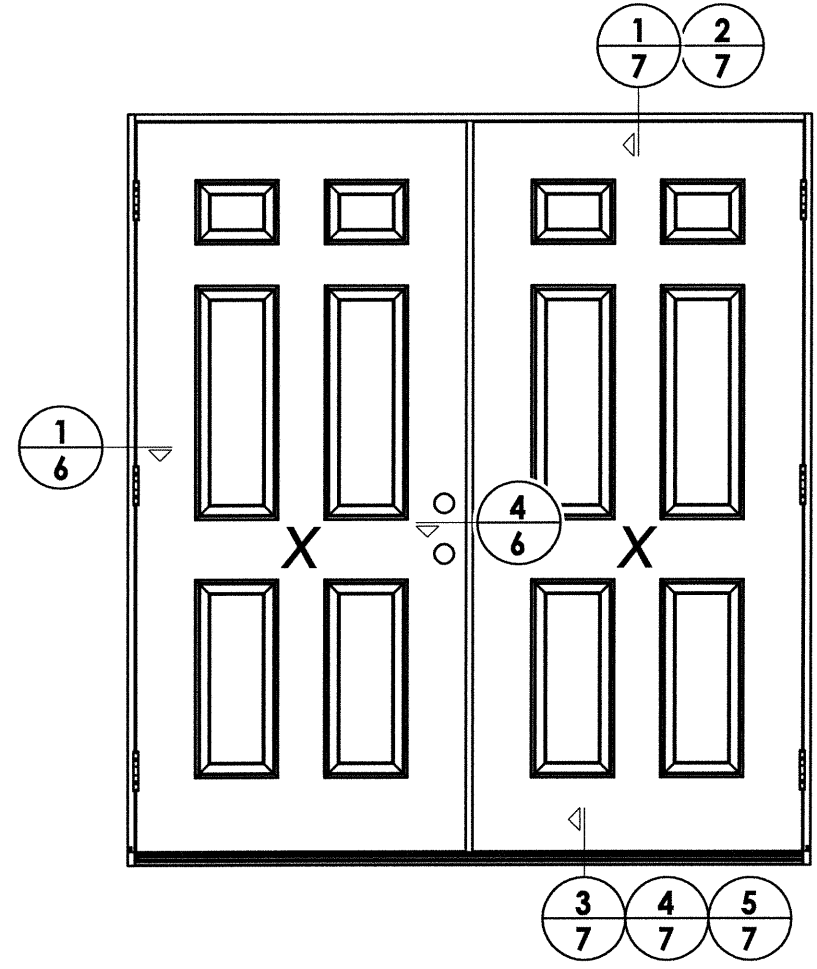


Documents Prepared By:  
Lyndon F. Schmidt  
P.E. No. 43409  
*LFS*  
5-1-15

PRODUCT:	TRINITY GLASS INT'L
PART OR ASSEMBLY:	SIDELITE PANEL DETAILS

NO.	DATE	BY
2	03/02/15	JK
1	12/16/14	LFS

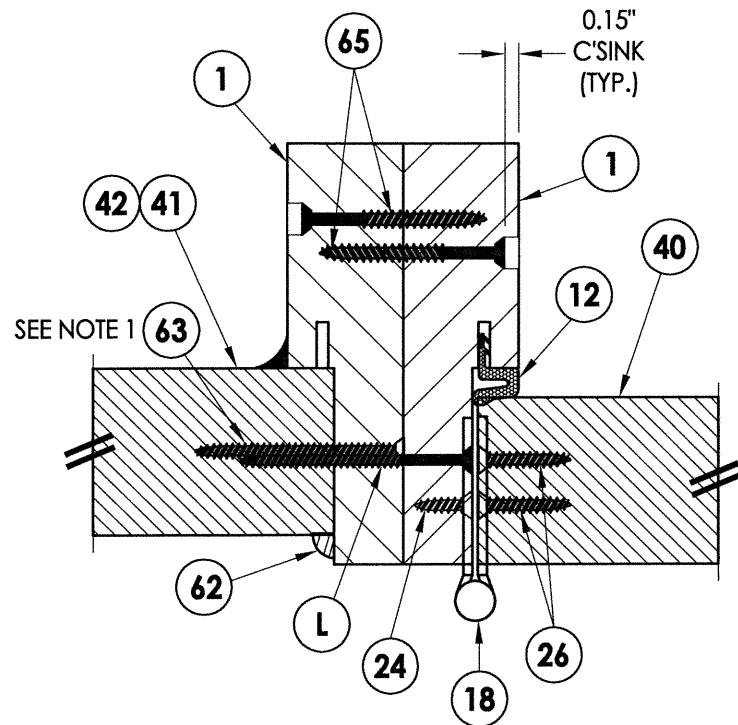
DATE:	1/18/12
SCALE:	N.T.S.
DWG. BY:	JK
CHK. BY:	LFS
DRAWING NO.:	FL-15129.4
SHEET	4 of 13



*LFS*  
 5/15  
 Documents Prepared By:  
 Lyndon F. Schmidt  
 P.E. No. 43409  
 BUILDING CONSULTANTS, INC.  
 P.O. Box 230, Valrico, FL 33595  
 Phone No.: 813.659.9197  
 FBPE C.A. No. 9813

PRODUCT:		TRINITY GLASS INT'L	
PART OR ASSEMBLY:		ELEVATIONS	
NO.	DATE	BY	REVISIONS
2	03/02/15	JK	UPDATE TO 5TH ED. (2014) FBC
1	12/16/14	LFS	REVISED LOCK HARDWARE

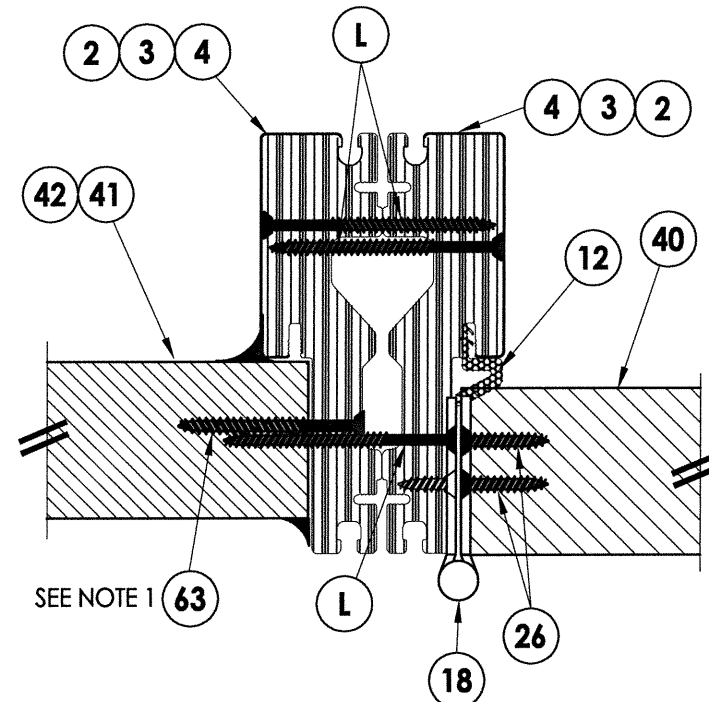
DATE: 1/18/12  
 SCALE: N.T.S.  
 DWG. BY: JK  
 CHK. BY: LFS  
 DRAWING NO.: FL-15129.4  
 SHEET 5 of 13



**2 HORIZONTAL CROSS SECTION**  
**6** Outswing shown - Inswing also approved  
 Shown w/ wood jambs

INTERIOR

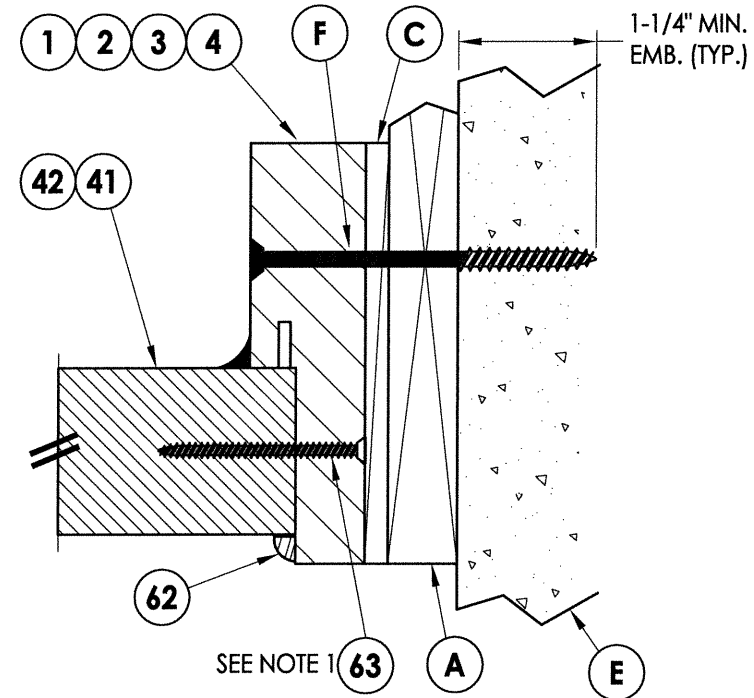
EXTERIOR



**6 HORIZONTAL CROSS SECTION**  
**6** Outswing shown - Inswing also approved  
 Shown w/ PVC jambs (Fiberglass/Comp. jamb similar)

INTERIOR

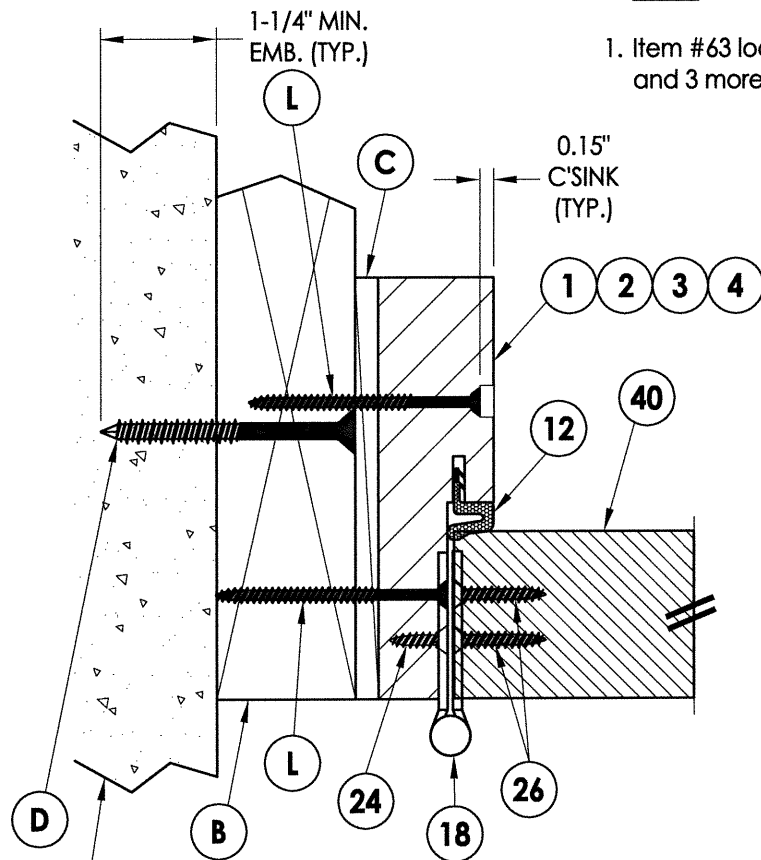
EXTERIOR



**3 HORIZONTAL CROSS SECTION**  
**6** Shown w/TX sub-buck

NOTE:

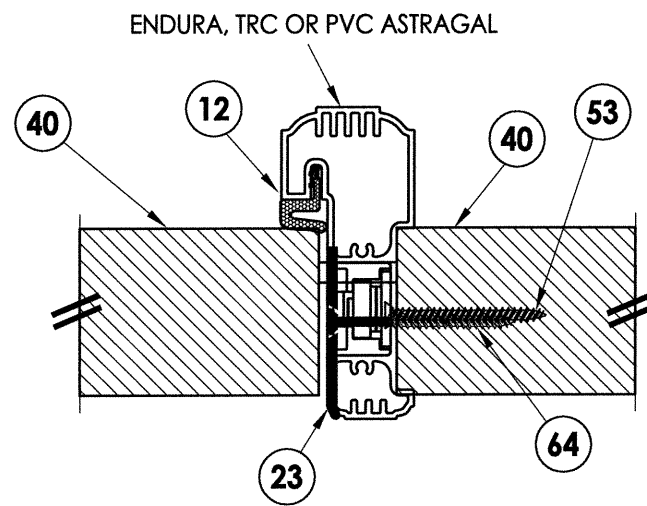
- Item #63 located 6" from each end and 3 more equally spaced (5 total).



**1 HORIZONTAL CROSS SECTION**  
**6** Outswing shown - Inswing also approved

INTERIOR

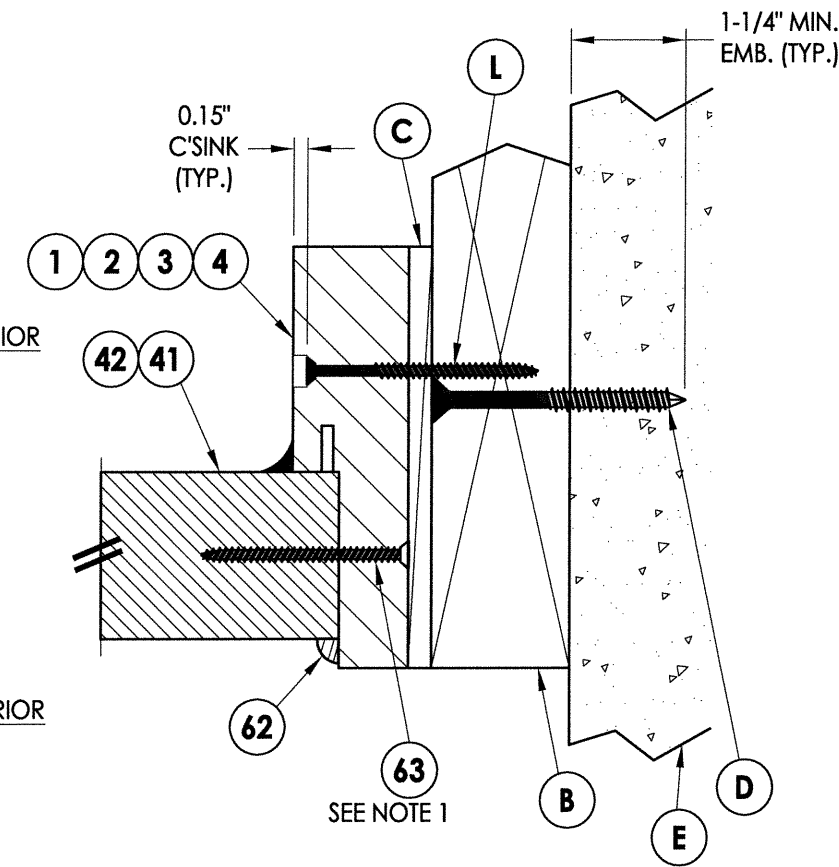
EXTERIOR



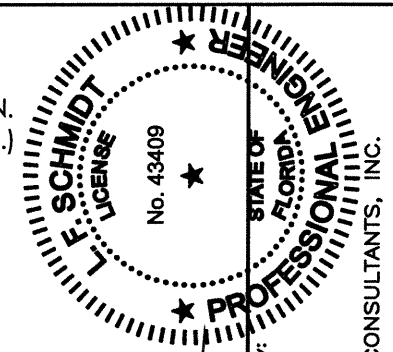
**4 HORIZONTAL CROSS SECTION**  
**6** Outswing shown - Inswing also approved

INTERIOR

EXTERIOR



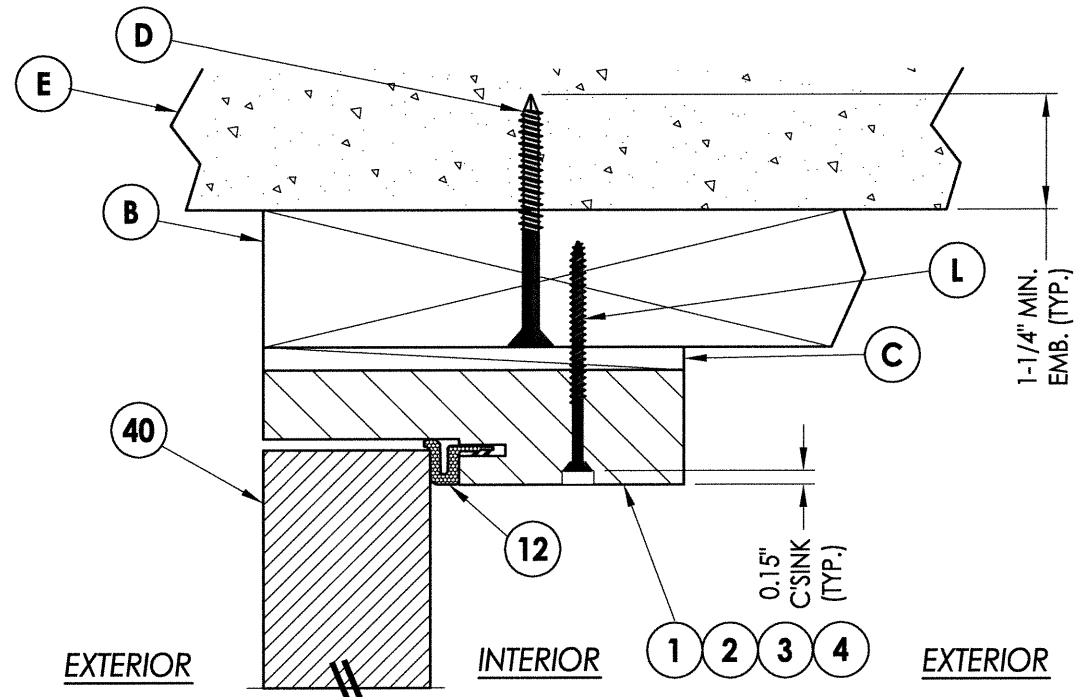
**5 HORIZONTAL CROSS SECTION**  
**6** Outswing shown - Inswing also approved



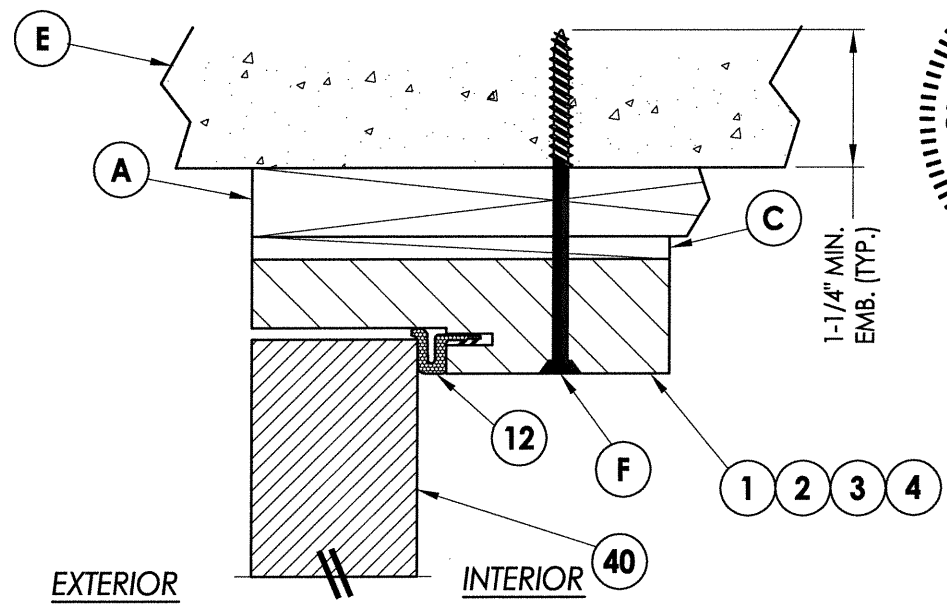
Documents Prepared By:  
 Lyndon F. Schmidt  
 P.E. No. 43409

**R.W.** BUILDING CONSULTANTS, INC.  
 P.O. Box 230, Valrico, FL 33595  
 Phone No.: 813.659.9197  
 FBPE C.A. No. 9813

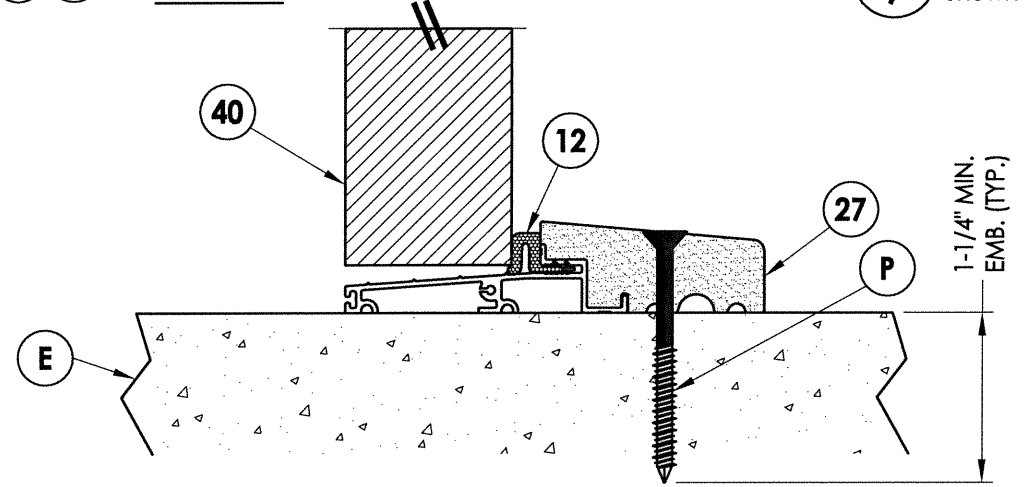
PRODUCT:	TRINITY GLASS INT'L	
PART OR ASSEMBLY:	HORIZONTAL CROSS SECTIONS	
DATE:	1/18/12	
SCALE:	N.T.S.	
DWG. BY:	JK	
CHK. BY:	LFS	
DRAWING NO.:	FL-15129.4	
SHEET	6 OF 13	
NO.	DATE	BY
2	03/02/15	JK
1	12/16/14	LFS
REVISIONS		



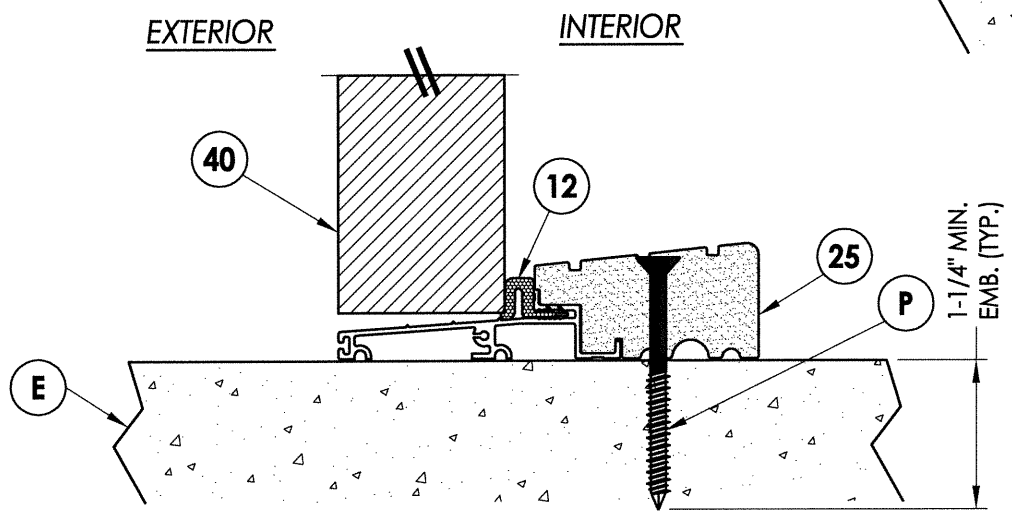
**1**  
**7** **VERTICAL CROSS SECTION**  
Outswing shown  
Inswing also approved



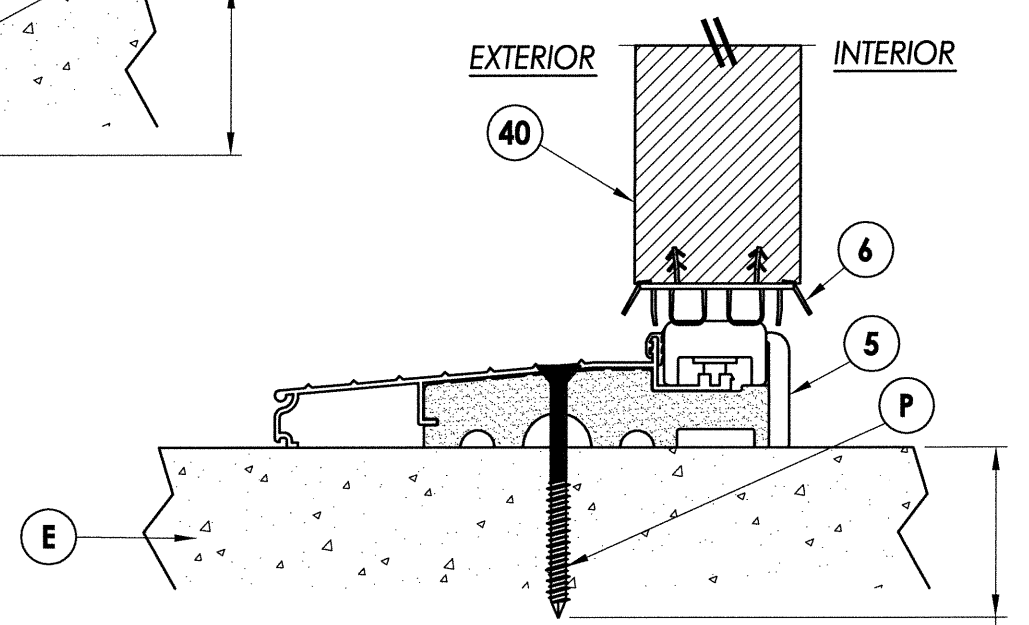
**2**  
**7** **VERTICAL CROSS SECTION**  
Shown w/1X sub-buck



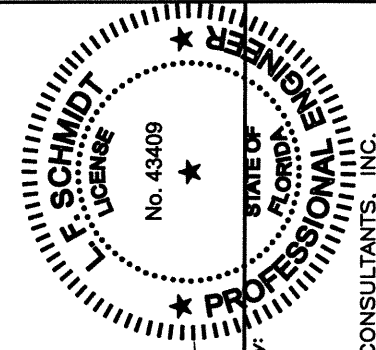
**4**  
**7** **VERTICAL CROSS SECTION**  
Outswing sill



**3**  
**7** **VERTICAL CROSS SECTION**  
Outswing sill - high dam



**5**  
**7** **VERTICAL CROSS SECTION**  
Inswing sill



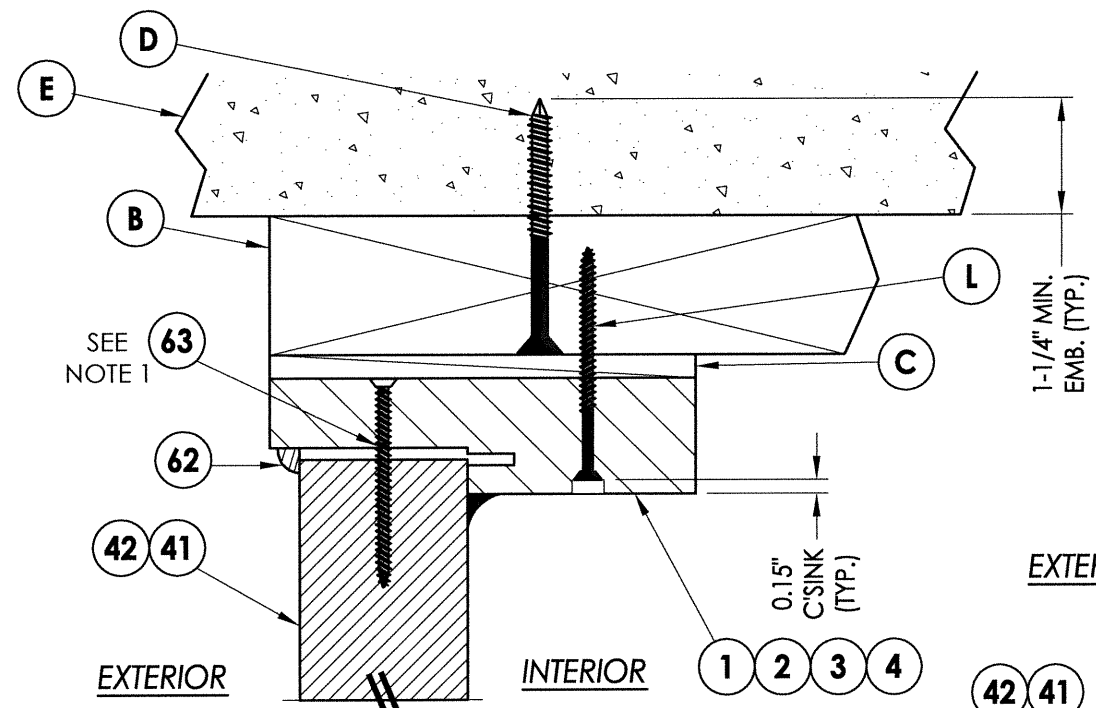
676  
5-1-15  
Documents Prepared By:  
Lyndon F. Schmidt  
P.E. No. 43409  
**RW** BUILDING CONSULTANTS, INC.  
P.O. Box 230, Valrico, FL 33595  
Phone No.: 813.699.9197  
FBPE C.A. No. 9813

PRODUCT: TRINITY GLASS INT'L		PART OR ASSEMBLY: VERTICAL CROSS SECTIONS	
JK	LFS	JK	LFS
2	03/02/15	UPDATE TO 5TH ED. (2014)	FBC
1	12/16/14	REVISED LOCK HARDWARE	LFS
NO.	DATE	BY	REVISIONS
DATE: 1/18/12			
SCALE: N.T.S.			
DWG. BY: JK			
CHK. BY: LFS			
DRAWING NO.: FL-15129.4			
SHEET 7 OF 13			

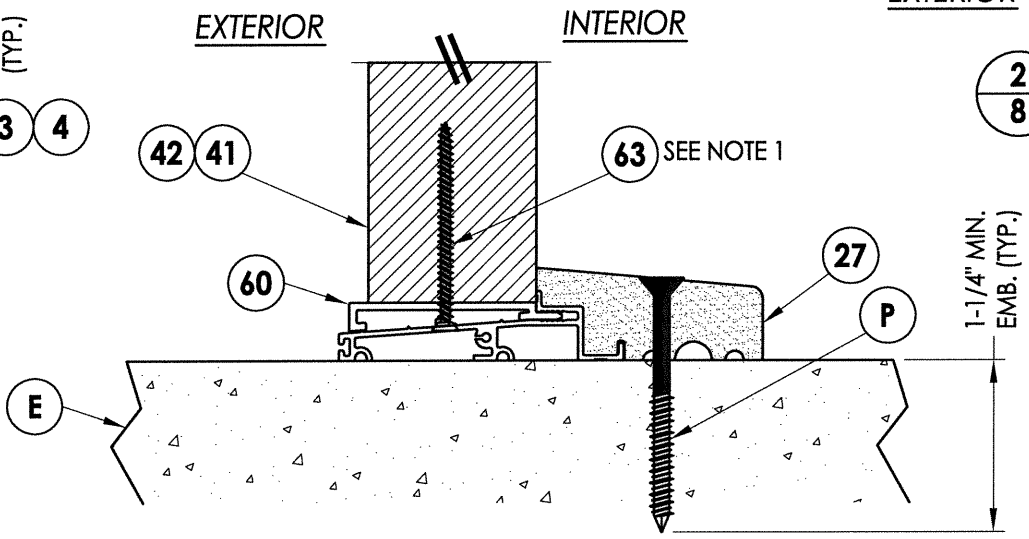
R:\Clients\Trinity Permanent\Florida Product Approvals\FL-15129\Drawings\Current\FL-15129.1-4.dwg, 8.4

**NOTE:**

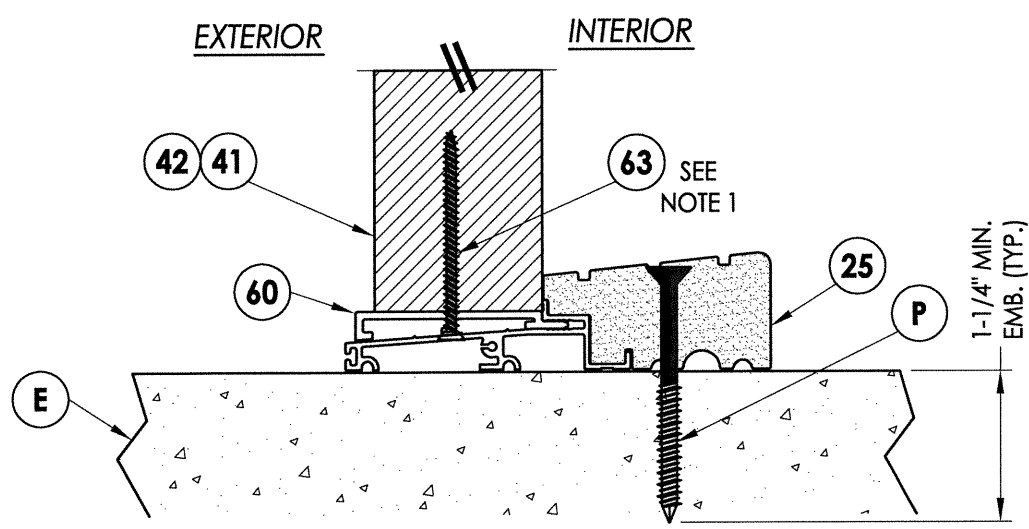
- Screws thru head and sill jamb located 3" from each end and on center line.



**1**  
**8** VERTICAL CROSS SECTION

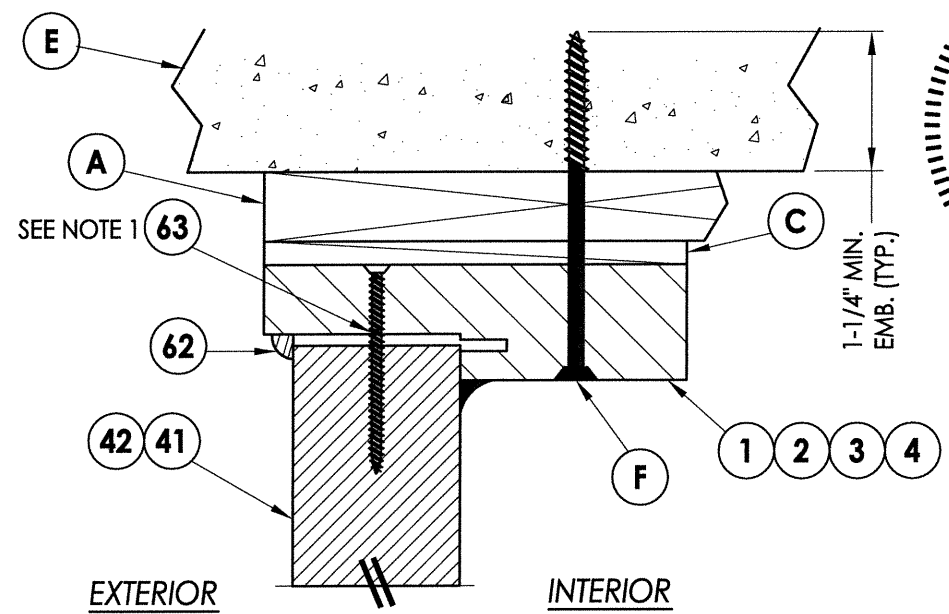


**2**  
**8** VERTICAL CROSS SECTION  
Shown w/1X sub-buck

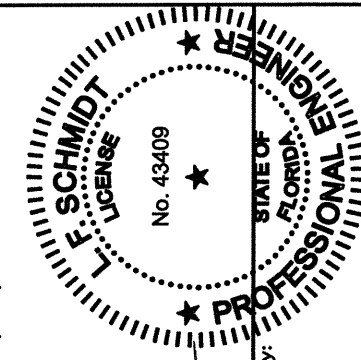
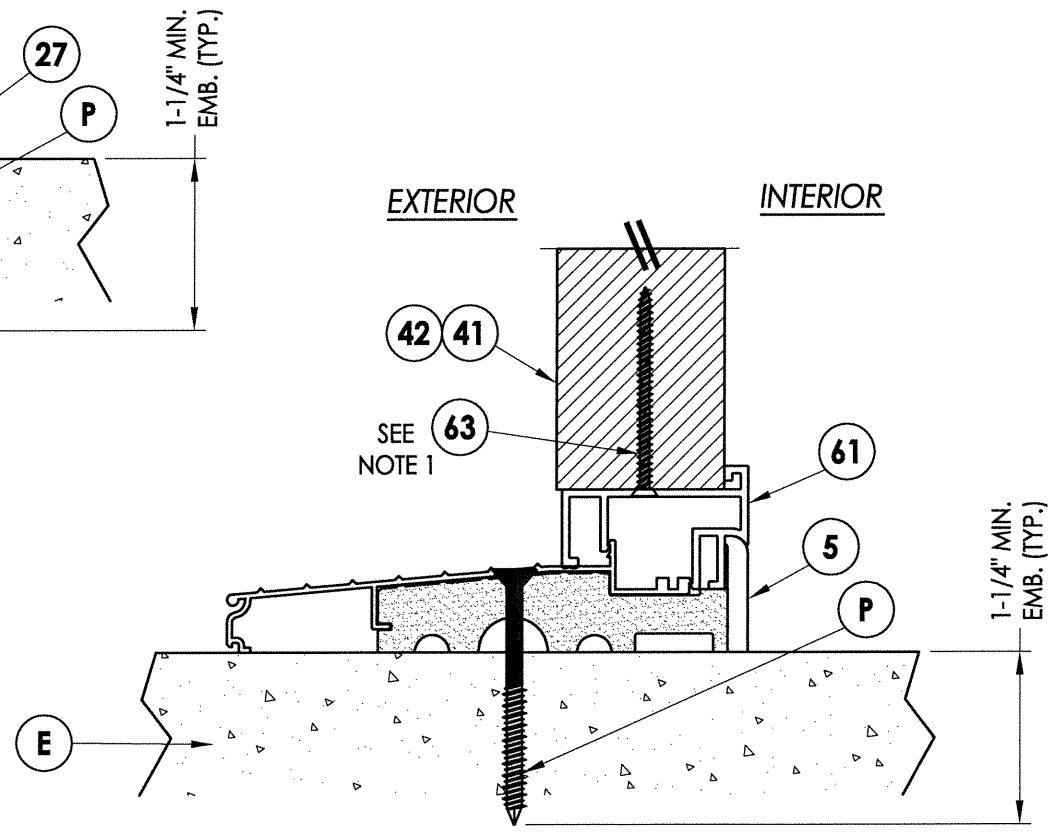


**3**  
**8** VERTICAL CROSS SECTION  
Outswing sill - high dam

**4**  
**8** VERTICAL CROSS SECTION  
Outswing sill



**5**  
**8** VERTICAL CROSS SECTION  
Inswing sill



Documents Prepared By:  
Lyndon F. Schmidt  
P.E. No. 43409

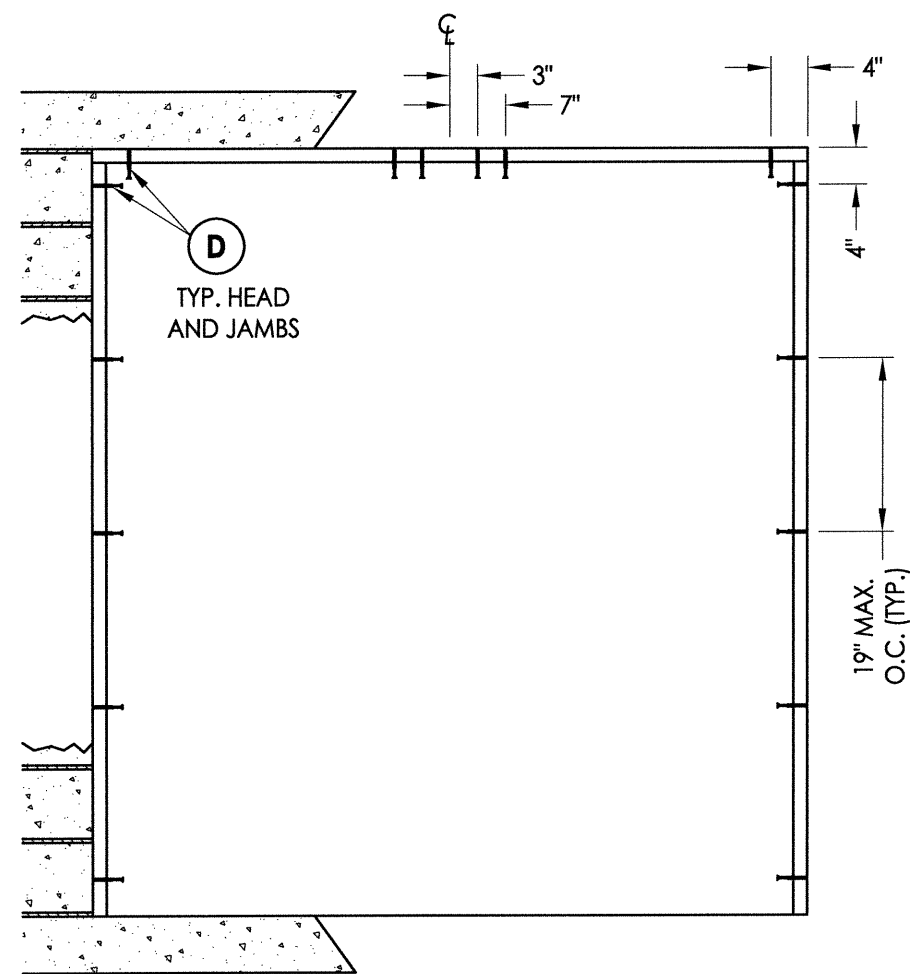
**R.W.**  
BUILDING CONSULTANTS, INC.  
P.O. Box 230, Valrico, FL 33595  
Phone No.: 813.659.9197  
FBPE C.A. No. 9813

PRODUCT:	TRINITY GLASS INT'L
PART OR ASSEMBLY:	VERTICAL CROSS SECTIONS
DATE:	1/18/12
SCALE:	N.T.S.
DWG. BY:	JK
CHK. BY:	LFS
DRAWING NO.:	FL-15129.4
SHEET	8 OF 13

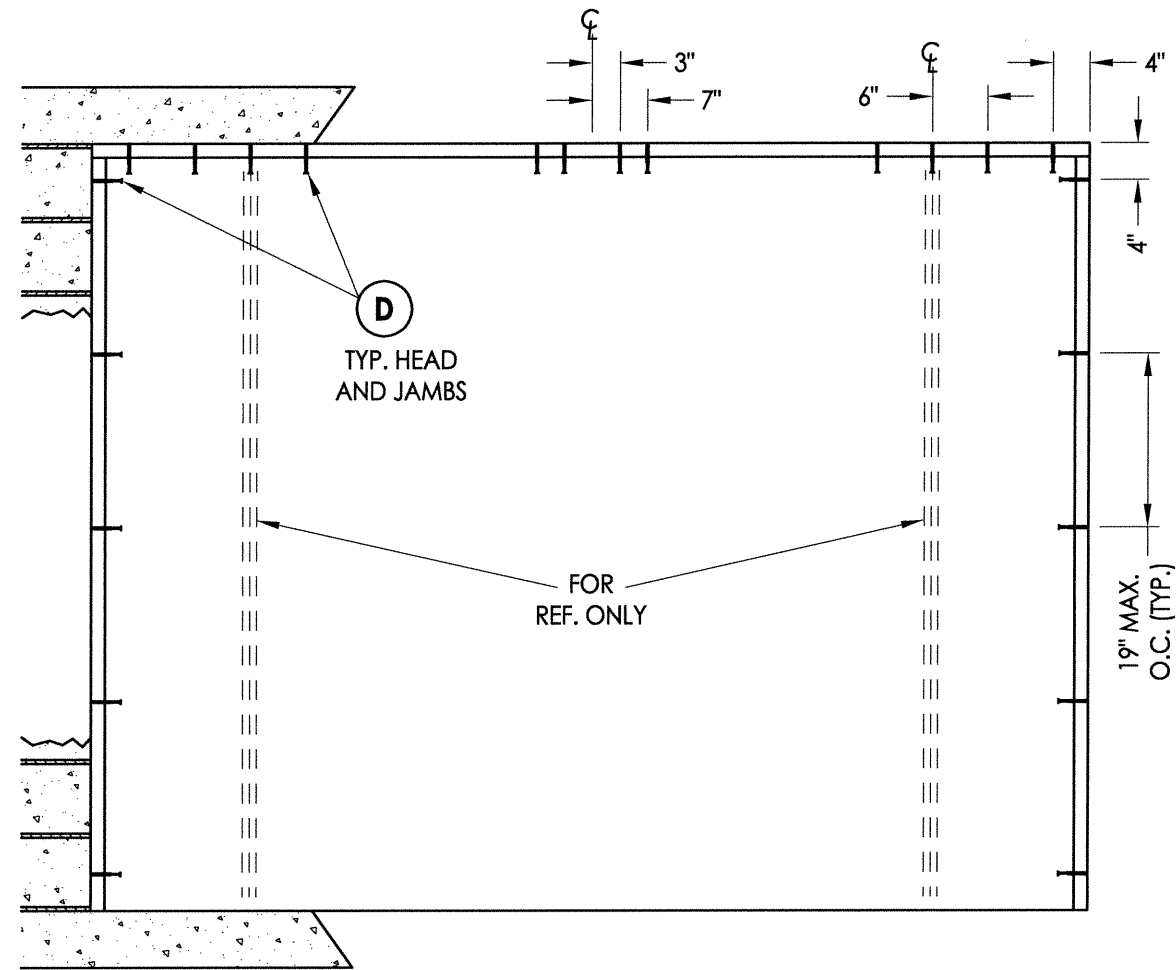
  

NO.	DATE	BY	REVISIONS
2	03/02/15	JK	UPDATE TO 5TH ED. (2014) FBC
1	12/16/14	LFS	REVISED LOCK HARDWARE





**BUCK ANCHORING**



**BUCK ANCHORING**

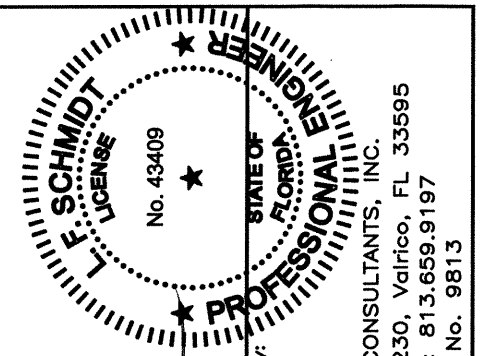
**CONCRETE ANCHOR NOTES:**

1. Concrete anchor locations at the corners may be adjusted to maintain the min. edge distance to mortar joints.
2. Concrete anchor locations noted as "MAX. ON CENTER" must be adjusted to maintain the min. edge distance to mortar joints, additional concrete anchors may be required to ensure the "MAX. ON CENTER" dimension are not exceeded.
3. Concrete anchor table:

ANCHOR TYPE	ANCHOR SIZE	MIN. EMBEDMENT	MIN. CLEARANCE TO MASONRY EDGE	MIN. CLEARANCE TO ADJACENT ANCHOR
ITW BUILDEX TAPCON®	1/4"	1-1/4"	2"	4"
ELCO ULTRACON®	1/4"	1-1/4"	1"	4"

**WOOD SCREW INSTALLATION NOTES:**

1. Maintain a minimum 5/8" edge distance, 1" end distance, & 1" o.c. spacing of wood screws to prevent the splitting of wood.



Documents Prepared By:  
 Lyndon F. Schmidt  
 P.E. No. 43409  
 RW BUILDING CONSULTANTS, INC.  
 P.O. Box 230, Valrico, FL 33595  
 Phone No.: 813.659.9197  
 FBPE C.A. No. 9813

PRODUCT:  
 TRINITY GLASS INT'L

PART OR ASSEMBLY:  
 BUCK ANCHORING

NO.	DATE	REVISIONS	BY
2	03/02/15	UPDATE TO 5TH ED. (2014) FBC	JK
1	12/16/14	REVISED LOCK HARDWARE	LFS

DATE: 1/18/12

SCALE: N.T.S.

DWG. BY: JK

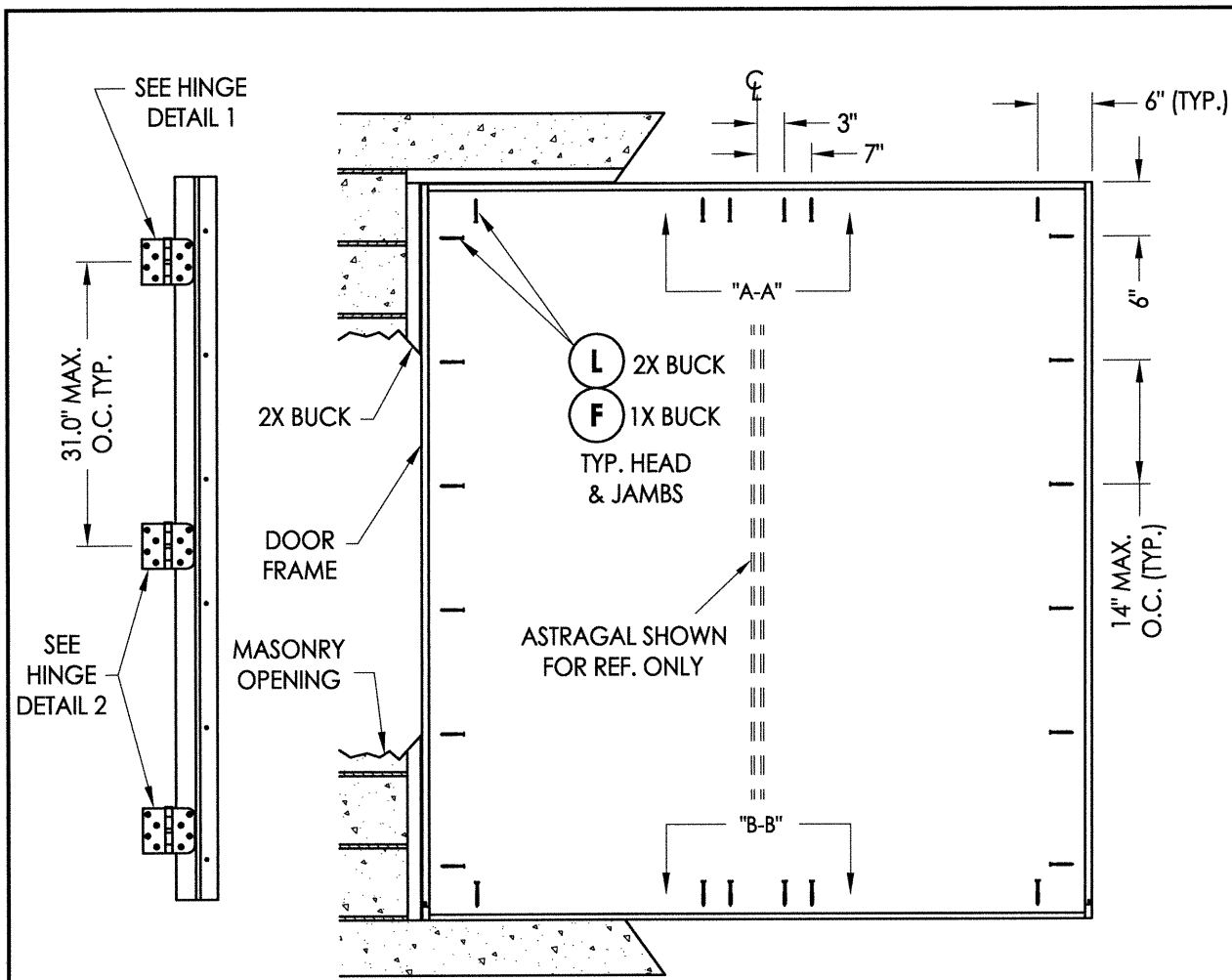
CHK. BY: LFS

DRAWING NO.:

FL-15129.4

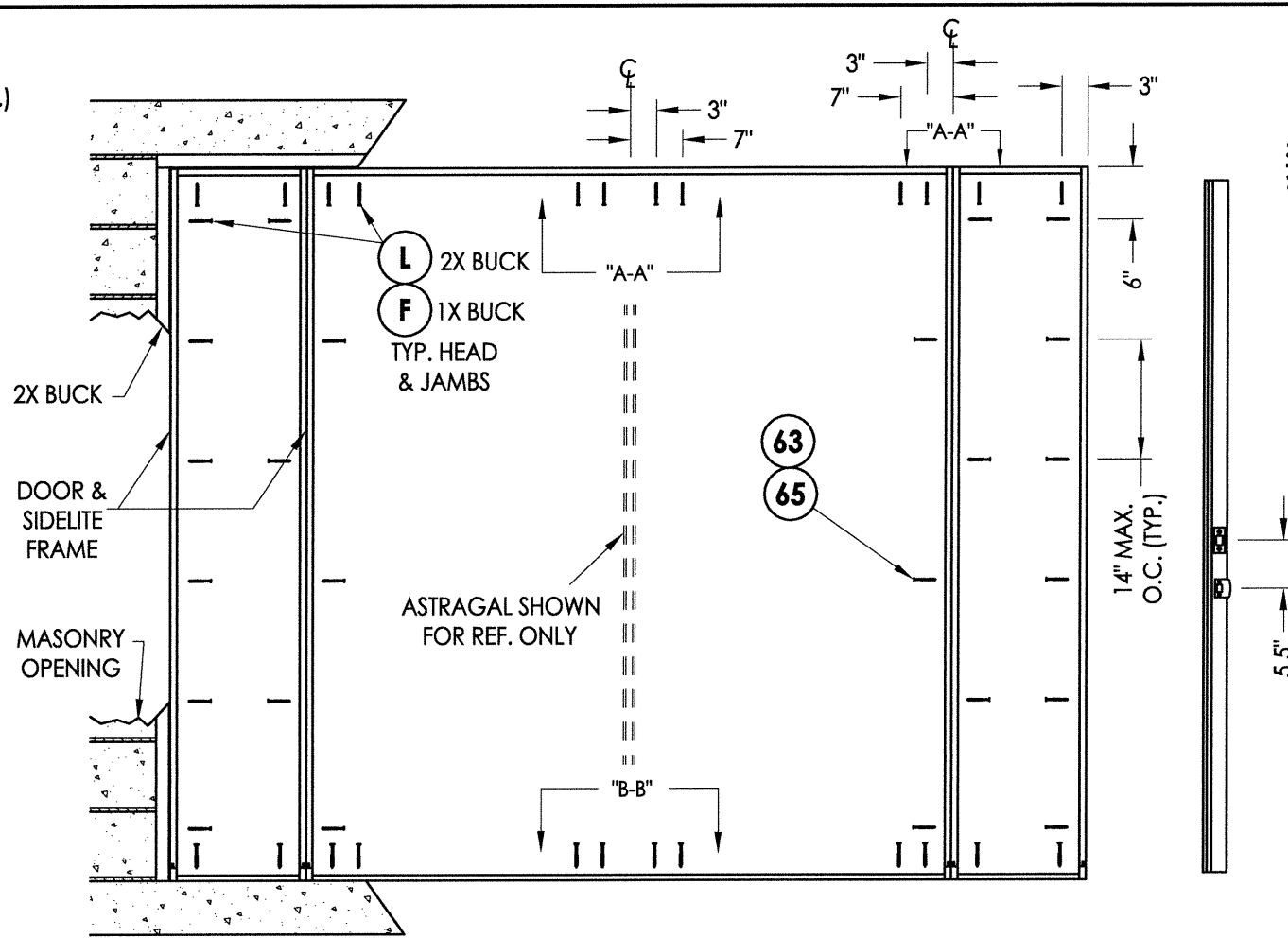
SHEET 9 OF 13

R:\Clients\Trinity PERMANENT\Florida Product Approvals\FL-15129\Drawings\Current\FL-15129.1-4.dwg, 10.4



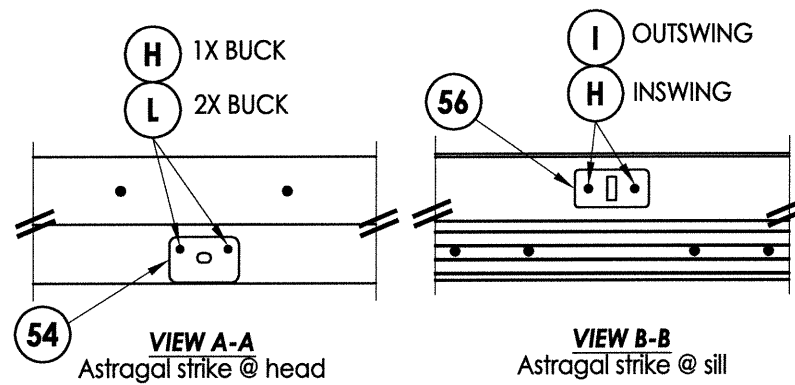
**HINGE JAMB**

**FRAME ANCHORING**



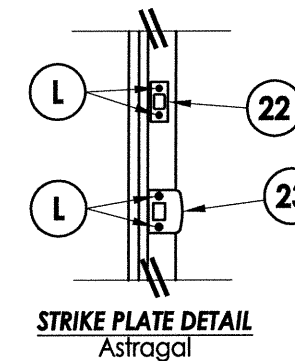
**FRAME ANCHORING**

**ASTRAGAL STRIKE JAMB**

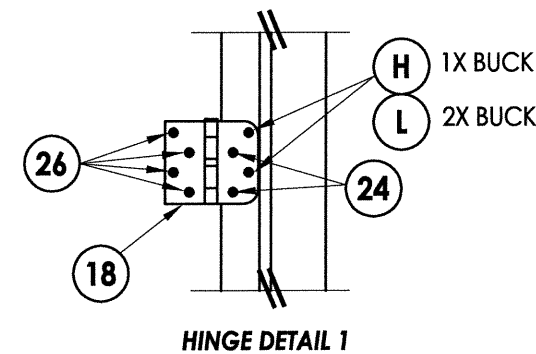


**VIEW A-A**  
Astragal strike @ head

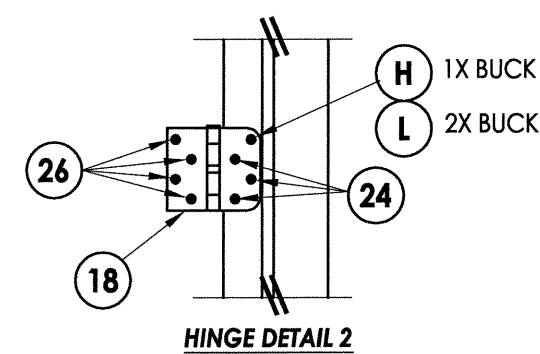
**VIEW B-B**  
Astragal strike @ sill



**STRIKE PLATE DETAIL**  
Astragal



**HINGE DETAIL 1**



**HINGE DETAIL 2**

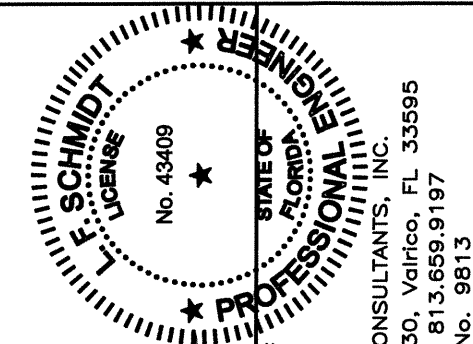
**CONCRETE ANCHOR NOTES:**

1. Concrete anchor locations at the corners may be adjusted to maintain the min. edge distance to mortar joints.
2. Concrete anchor locations noted as "MAX. ON CENTER" must be adjusted to maintain the min. edge distance to mortar joints, additional concrete anchors may be required to ensure the "MAX. ON CENTER" dimension are not exceeded.
3. Concrete anchor table:

ANCHOR TYPE	ANCHOR SIZE	MIN. EMBEDMENT	MIN. CLEARANCE TO MASONRY EDGE	MIN. CLEARANCE TO ADJACENT ANCHOR
ITW BUILDEX TAPCON®	3/16"	1-1/4"	3"	1-1/2"
	1/4"	1-1/4"	2"	4"
ELCO ULTRACON®	1/4"	1-1/4"	1"	4"

**WOOD SCREW INSTALLATION NOTES:**

1. Maintain a minimum 5/8" edge distance, 1" end distance, & 1" o.c. spacing of wood screws to prevent the splitting of wood.



Documents Prepared By:  
Lyndon F. Schmidt  
P.E. No. 43409

**RW**  
BUILDING CONSULTANTS, INC.  
P.O. Box 230, Valrico, FL 33595  
Phone No.: 813.659.9197  
FBPE C.A. No. 9813

PRODUCT: TRINITY GLASS INT'L

PART OR ASSEMBLY: FRAME ANCHORING

NO.	DATE	BY	REVISIONS
2	03/02/15	JK	UPDATE TO 5TH ED. (2014) FBC
1	12/16/14	LFS	REVISED LOCK HARDWARE

DATE: 1/18/12

SCALE: N.T.S.

DWG. BY: JK

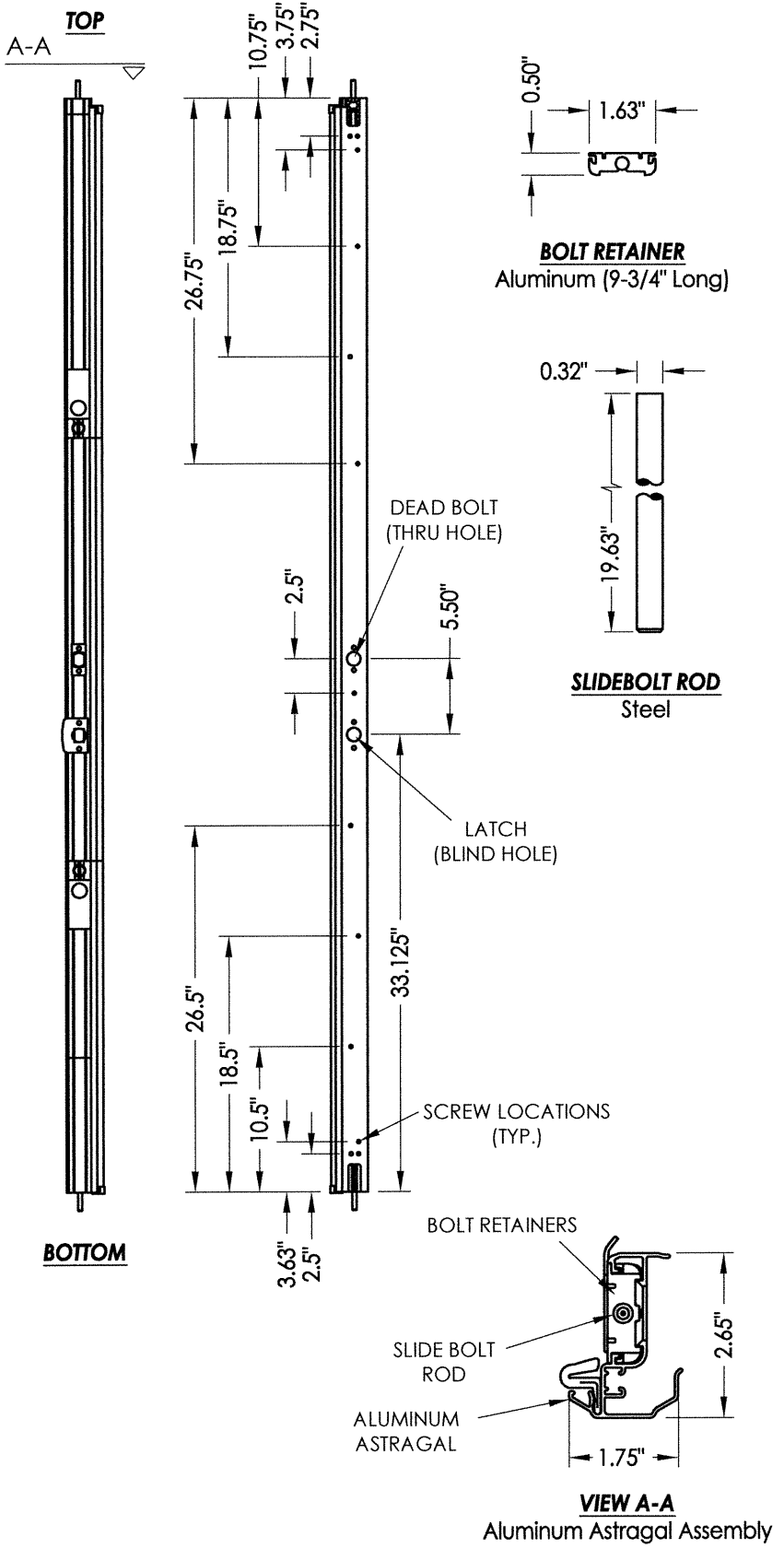
CHK. BY: LFS

DRAWING NO.: FL-15129.4

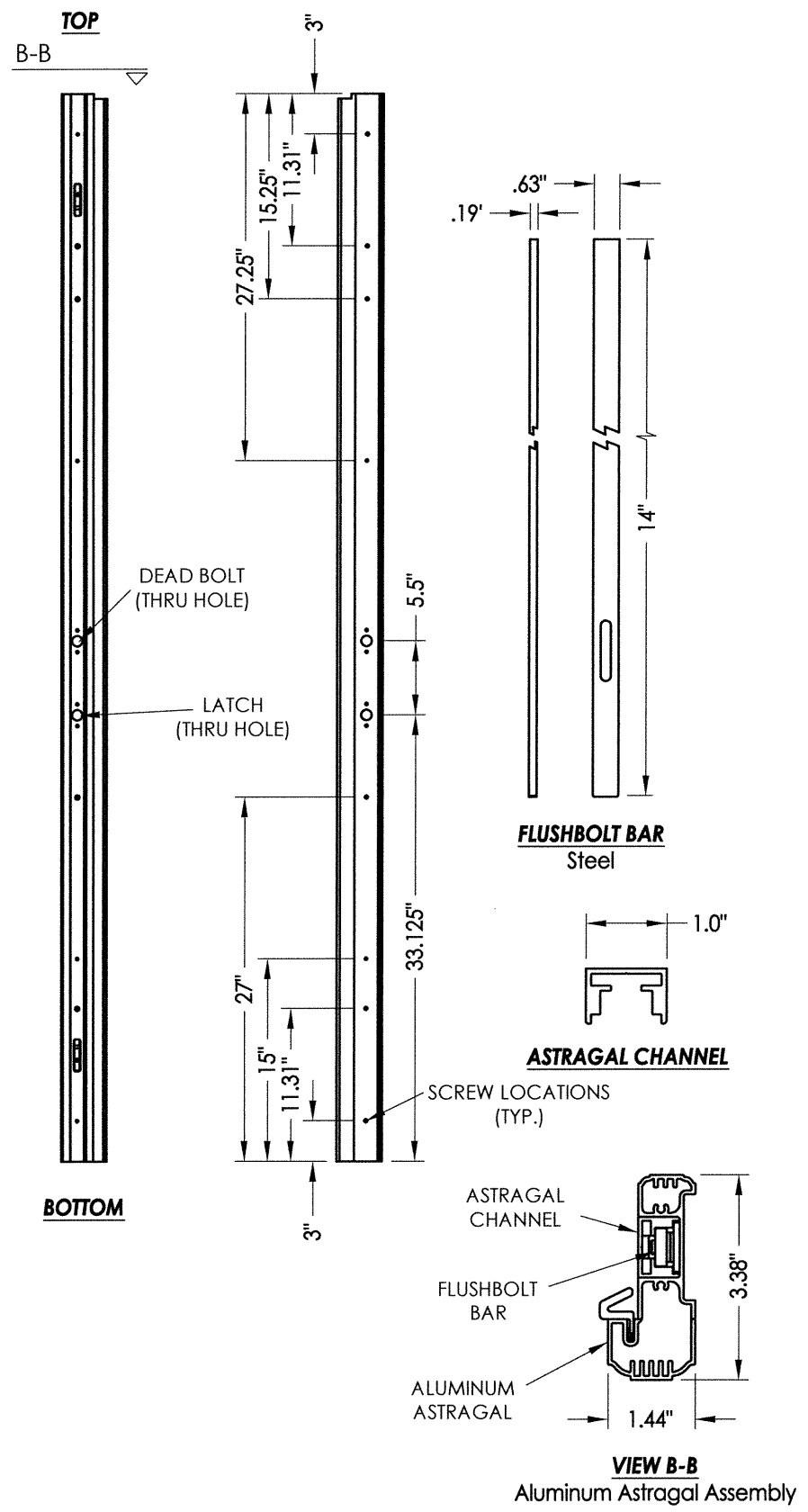
SHEET 10 OF 13

© 2012 R.W. BUILDING CONSULTANTS INC.

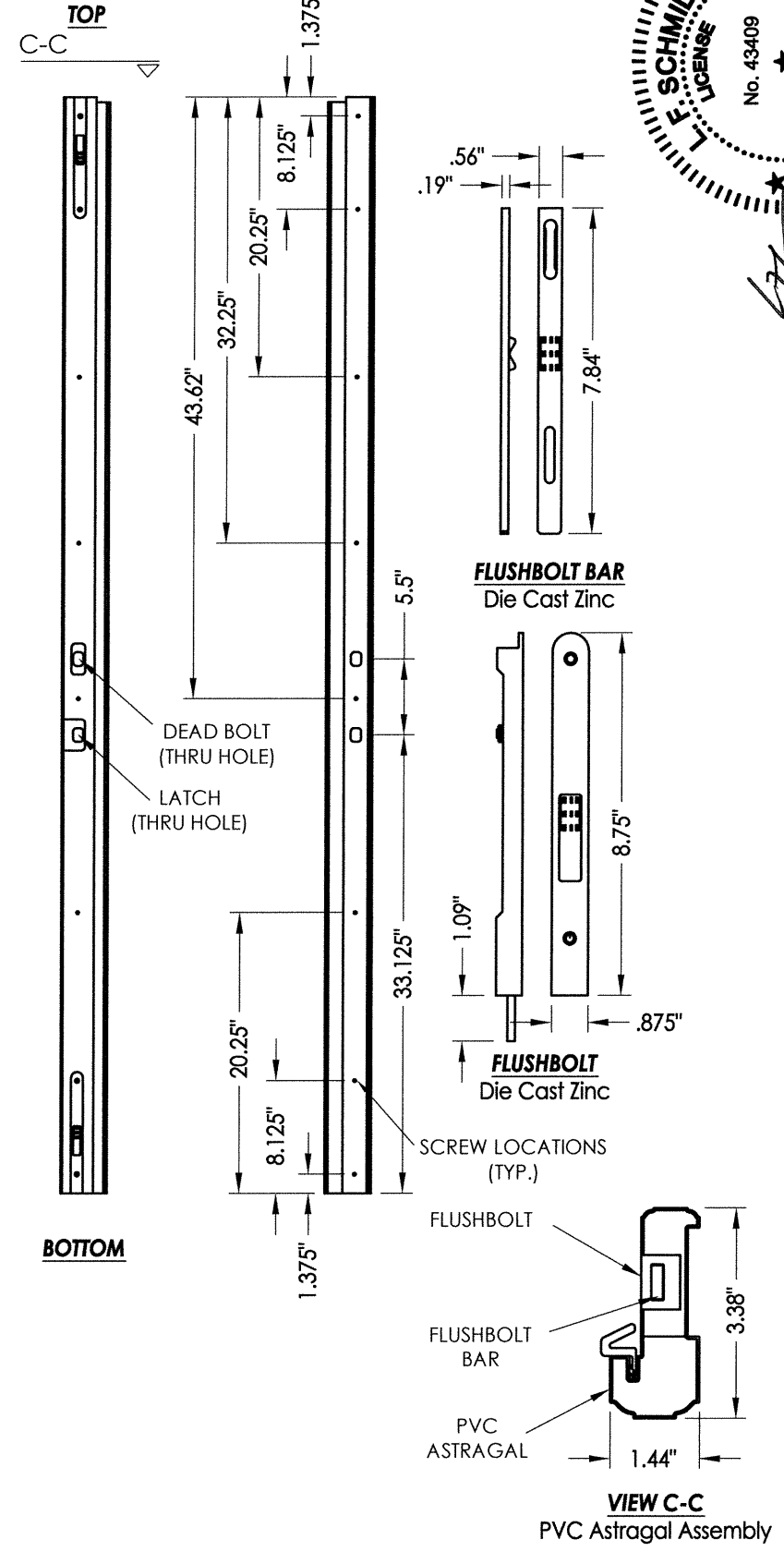
R:\Clients\Trinity PERMANENT\Florida Product Approvals\FL-15129\Drawings\Current\FL-15129.1-4.dwg, 11.4



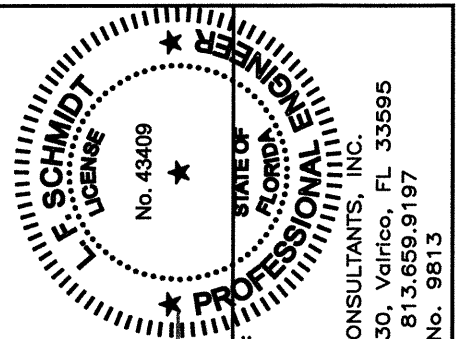
**ENDURA ASTRAGAL**  
6'8 Aluminum Astragal by Endura Products



**TRC ASTRAGAL**  
6'8 Aluminum Astragal by Trinity



**PVC ASTRAGAL**  
6'8 PVC Astragal by Trinity

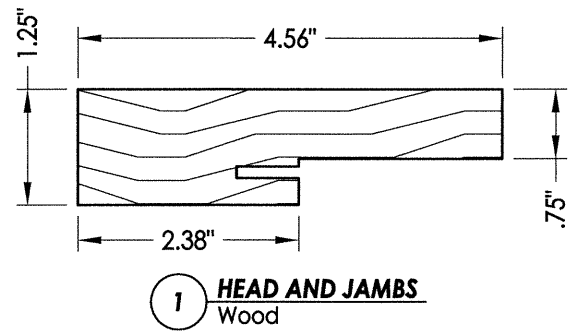


Documents Prepared By:  
Lyndon F. Schmidt  
P.E. No. 43409  
*LFS*  
5-7-15

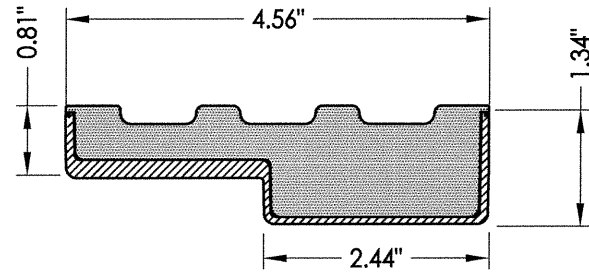
**R.W.** BUILDING CONSULTANTS, INC.  
P.O. Box 230, Valrico, FL 33595  
Phone No.: 813.659.9197  
FBPE C.A. No. 9813

PRODUCT:	TRINITY GLASS INT'L		
PART OR ASSEMBLY:	ASTRAGAL DETAILS		
DATE	NO.	DATE	BY
	2	03/02/15	JK
	1	12/16/14	LFS
REVISIONS			
DATE:	1/18/12		
SCALE:	N.T.S.		
DWG. BY:	JK		
CHK. BY:	LFS		
DRAWING NO.:	FL-15129.4		
SHEET	11	OF	13

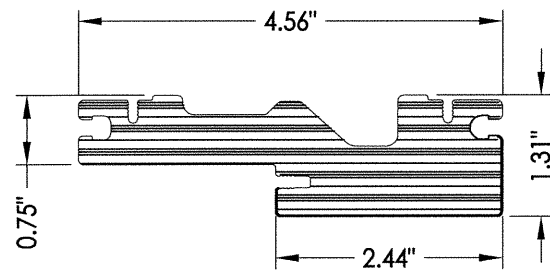
© 2012 R.W. BUILDING CONSULTANTS INC.



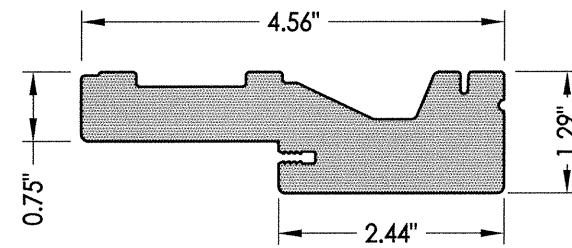
**1 HEAD AND JAMBS**  
Wood



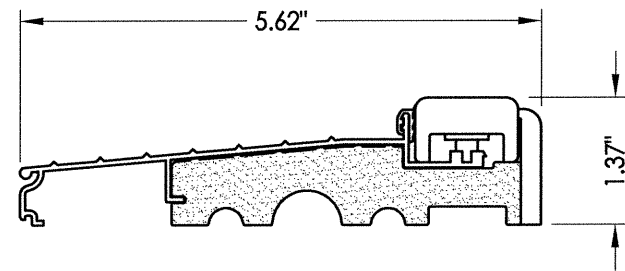
**2 HEAD AND JAMBS**  
Composite PVC Base  
w/ Fiberglass Wrap



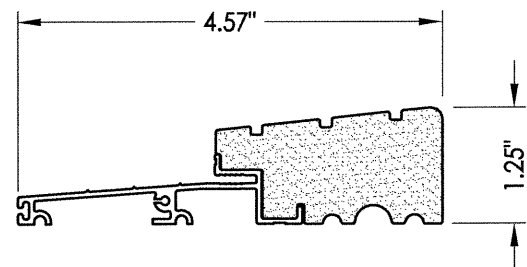
**3 HEAD AND JAMBS**  
PVC



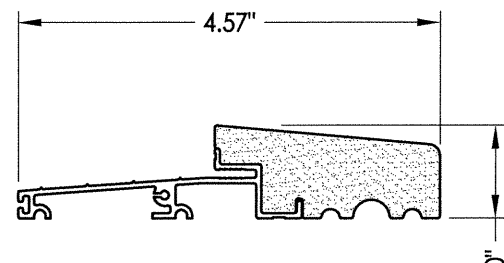
**4 HEAD AND JAMBS**  
PVC



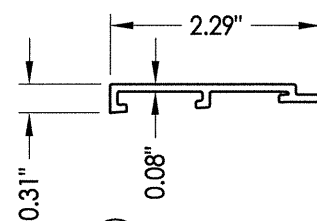
**5 INSWING THRESHOLD**



**25 OUTSWING THRESHOLD**  
High-dam

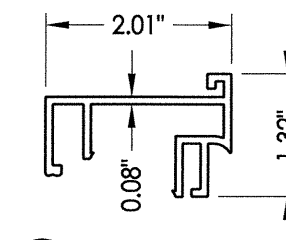


**27 OUTSWING THRESHOLD**

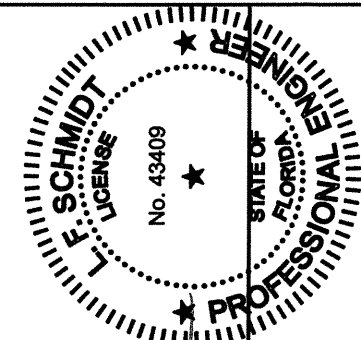
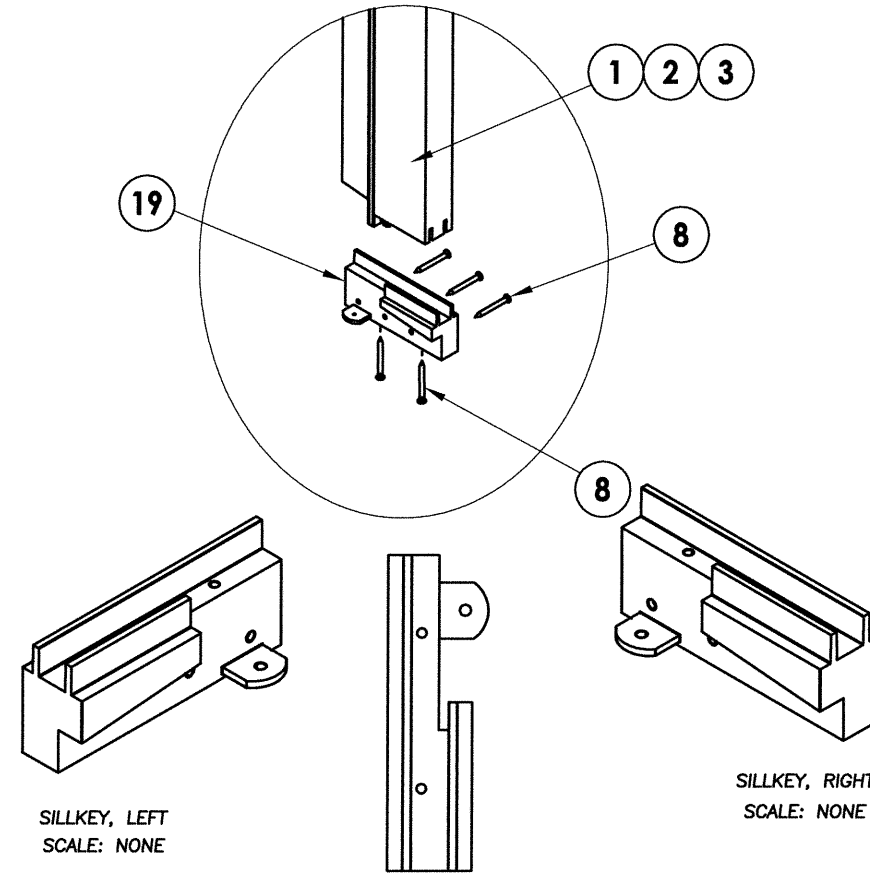


**60 SIDELITE SPACER**  
Outswing

**19 SILLKEY DETAILS**  
Optional



**61 SIDELITE SPACER**  
Inswing



Documents Prepared By:  
Lyndon F. Schmidt  
P.E. No. 43409

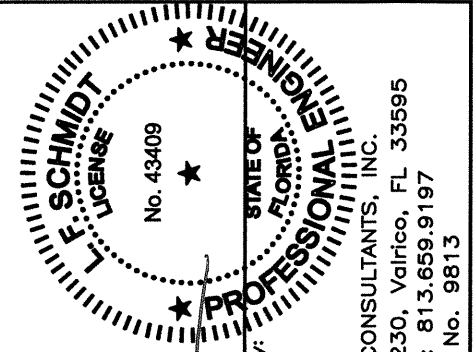
*RW* BUILDING CONSULTANTS, INC.  
P.O. Box 230, Vairico, FL 33595  
Phone No.: 813.659.9197  
FBPE C.A. No. 9813

PRODUCT:	TRINITY GLASS INT'L
PART OR ASSEMBLY:	COMPONENTS

NO.	DATE	REVISIONS
2	03/02/15	UPDATE TO 5TH ED. (2014) FBC
1	12/16/14	REVISED LOCK HARDWARE
		JK
		LFS
		BY

DATE:	1/18/12
SCALE:	N.T.S.
DWG. BY:	JK
CHK. BY:	LFS
DRAWING NO.:	FL-15129.4
SHEET	12 OF 13

BILL OF MATERIALS		
ITEM #	DESCRIPTION	MATERIAL
A	1X BUCK SG >= 0.55	WOOD
B	2X BUCK SG >= 0.55	WOOD
C	1/4" MAX. SHIM SPACE	-
D	1/4" X 2-3/4" PFH ELCO OR ITW CONCRETE SCREW	STEEL
E	MASONRY - 3,000 PSI MIN. CONCRETE CONFORMING TO ACI 301 OR HOLLOW BLOCK CONFORMING TO ASTM C90	CONCRETE
F	1/4" X 3-3/4" PFH ITW CONCRETE SCREW	STEEL
H	3/16" X 3-1/4" PFH ITW CONCRETE SCREW	STEEL
I	3/16" X 1-1/4" PFH ITW CONCRETE SCREW	STEEL
J	#9 X 2-1/4" PFH WS	STEEL
L	#8 X 2-1/2" PFH WS	STEEL
P	1/4" X 2-3/4" PFH ITW CONCRETE SCREW	STEEL
1	JAMB (FINGER-JOINT PINE - SG >= 0.42)	WOOD
2	JAMB	FIBERGLASS/COMP
3	JAMB	PVC
4	JAMB	PVC
5	INSWING THRESHOLD ALUMINUM W/ COMPOSITE SUBSTRATE	ALUMINUM
6	DOOR BOTTOM SWEEP	PVC
8	#6 X 1-1/4 PFH DRYWALL SCREW	STEEL
12	WEATHER STRIP QEBD650 Q-LON	-
18	3.983" X 4.0" HINGE MIN 0.098" THICK	STEEL
19	SILLKEY	PC/ASA
22	DEADBOLT STRIKE PLATE	STEEL
23	STRIKE PLATE	STEEL
24	#9 X 5/8" PFH WS	STEEL
25	OUTSWING HIGH-DAM THRESHOLD ALUMINUM W/ COMPOSITE SUBSTRATE	ALUM./ COMP.
26	#9 X 1.0" PFH WS	STEEL
27	OUTSWING THRESHOLD ALUMINUM W/ COMPOSITE SUBSTRATE	ALUM./ COMP.
40	DOOR PANEL - SEE DOOR PANEL DETAIL SHEET FOR CONSTRUCTION DETAILS	-
41	SIDELITE PANEL - SEE SIDELITE PANEL DETAIL SHEET FOR CONSTRUCTION DETAILS	-
42	SIDELITE PANEL - SEE SIDELITE PANEL DETAIL SHEET FOR CONSTRUCTION DETAILS	-
53	#8 X 1-3/4" PFH SMS	STEEL
54	ASTRAGAL STRIKE @ HEAD	STEEL
56	ASTRAGAL STRIKE @ SILL	STEEL
60	SIDELITE SPACER - OUTSWING	PVC
61	SIDELITE SPACER - INSWING	PVC
62	QUARTER ROUND	WOOD
63	#8 X 2-1/4" PFH WOOD SCREW	STEEL
64	#8 X 2" PFH WOOD SCREW	STEEL
65	#10 X 2" PFH WOOD SCREW	STEEL



Documents Prepared By:  
 Lyndon F. Schmidt  
 P.E. No. 43409

*RW* BUILDING CONSULTANTS, INC.  
 P.O. Box 230, Valrico, FL 33595  
 Phone No.: 813.659.9197  
 FBPE C.A. No. 9813

PRODUCT: TRINITY GLASS INT'L

PART OR ASSEMBLY: BILL OF MATERIALS

NO.	DATE	REVISIONS
2	03/02/15	UPDATE TO 5TH ED. (2014) FBC
1	12/16/14	REVISED LOCK HARDWARE
JK		
LFS		
BY		

DATE: 1/18/12

SCALE: N.T.S.

DWG. BY: JK

CHK. BY: LFS

DRAWING NO.: FL-15129.4

SHEET 13 OF 13